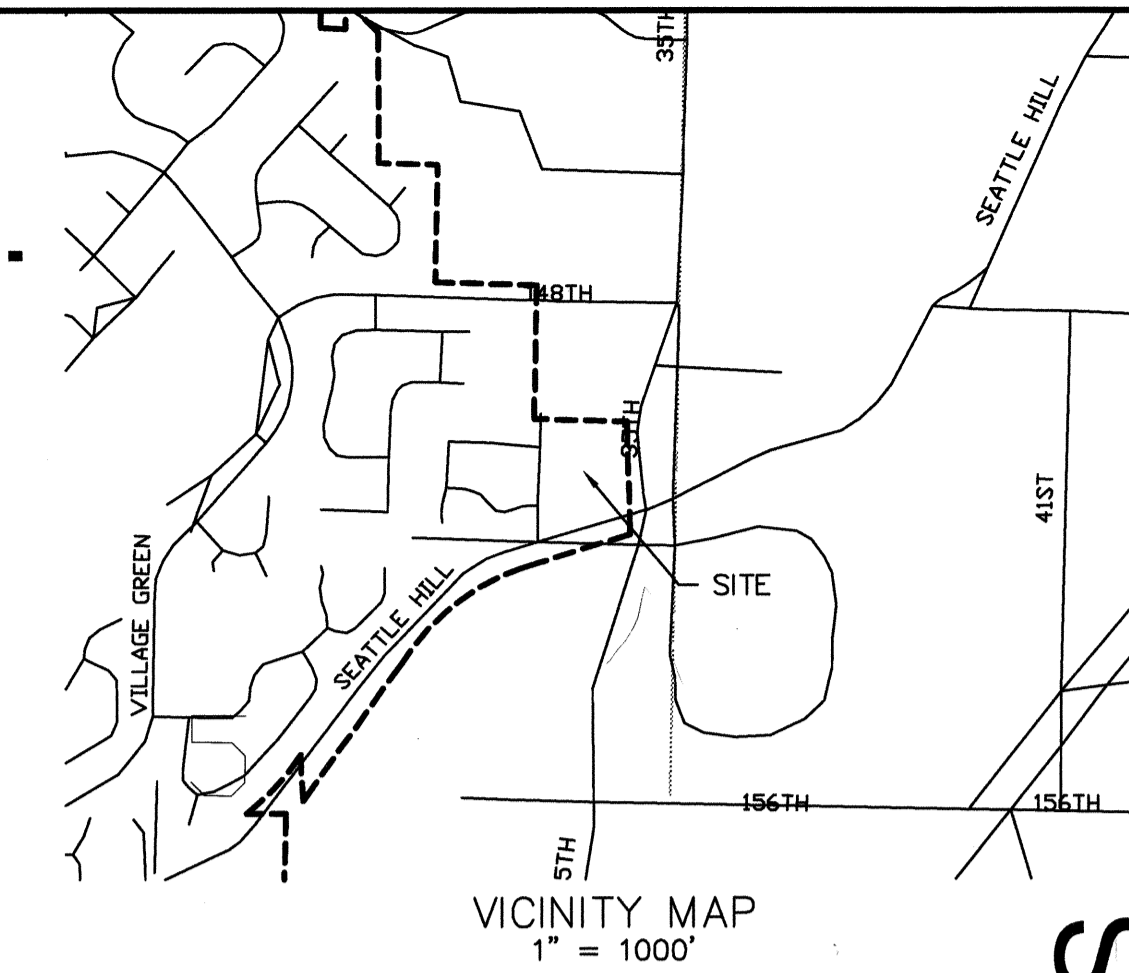
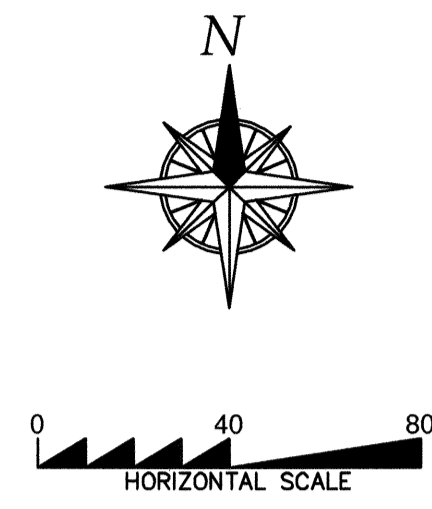
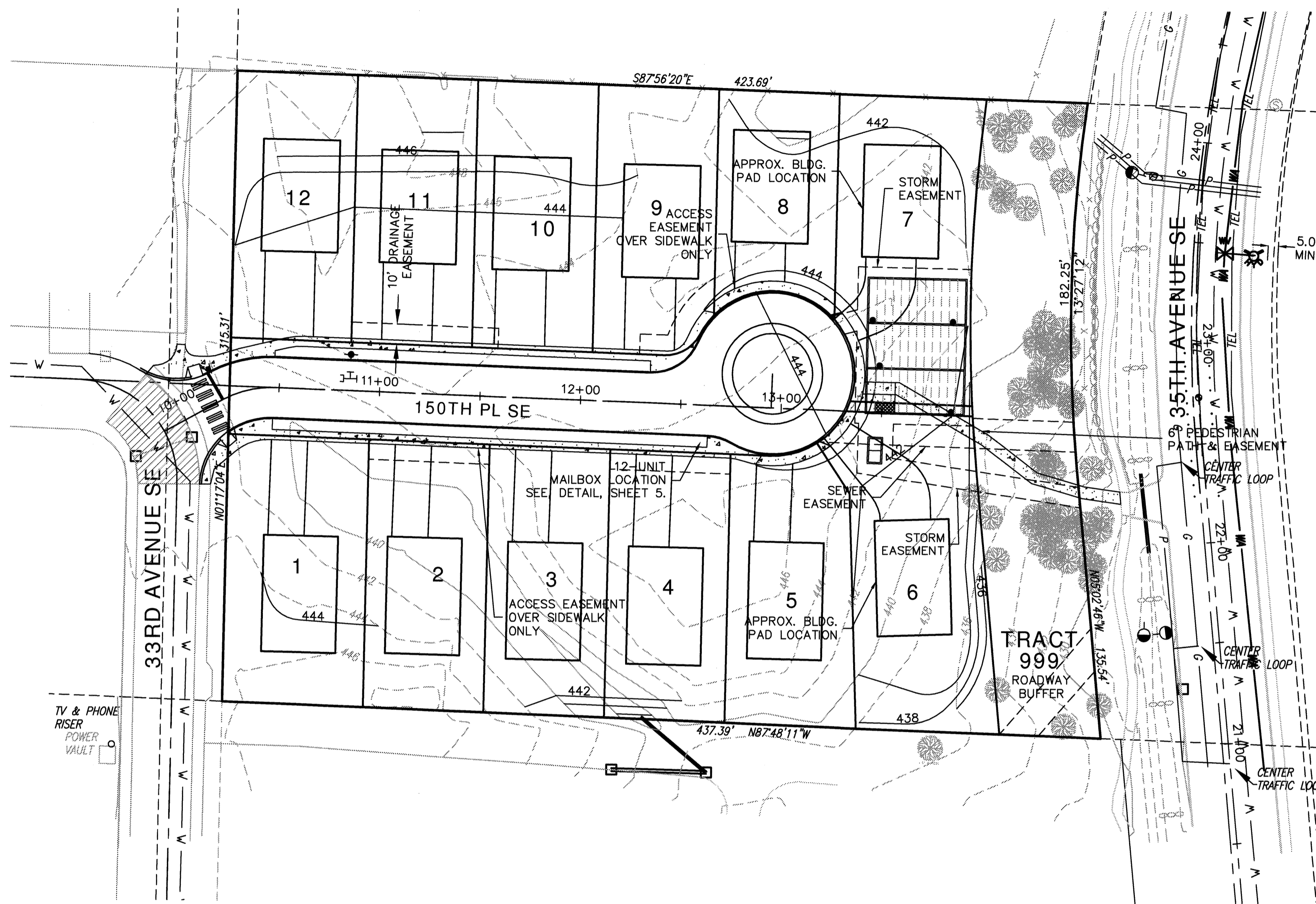


# DOUGLAS ADDITION

## NE 1/4, SECTION 5, TOWNSHIP 27N., RANGE 5E., W.M.



### PROJECT INFORMATION

**OWNER**  
 JAMES & VIRGINIA DOUGLAS  
 16907 WESTSHORE ROAD  
 STANWOOD, WA 98292  
 360.652.1293

**APPLICANT**  
 THE MCNAUGHTON GROUP, LLC  
 P.O. BOX 100  
 EDMONDS, WA 98020  
 425.778.0409

**PLANNER/CONTACT**  
 DON MILLER/GWC  
 8888 45TH PLACE WEST  
 MUKILTEO, WA 98275  
 425.265.1558  
 f:425.290.6250

**CIVIL ENGINEER**  
 OMEGA ENGINEERING, INC.  
 2210 HEWITT AVENUE SUITE 204  
 EVERETT, WA 98201  
 425.387.3821  
 f:425.259.1958

**SURVEYOR**  
 CURTIS & ASSOC.  
 P.O. BOX 1512  
 LAKE STEVENS, WA 98258  
 425.397.8424  
 f:425.334.0781

### WATER

ALDERWOOD WATER AND WASTEWATER DISTRICT  
 3626 156TH ST. SW  
 LYNNWOOD, WA 98037  
 425.743.4605

### SEWER

SILVER LAKE WATER DISTRICT  
 2210 132ND STREET SE  
 MILL CREEK WASHINGTON 98012-5615  
 425.337.3647

### GAS

PUGET SOUND ENERGY  
 1122 75TH STREET SW  
 EVERETT, WASHINGTON 98203  
 425.356.7507, 1.800.321.4123

### POWER

SNOHOMISH COUNTY PUD  
 P.O. BOX 1107  
 EVERETT, WASHINGTON 98206-1107  
 425.670.3201

### TAX ASSESSOR'S NUMBER:

3999-001-003-0100

### LEGAL DESCRIPTION

LOT 3, BLOCK 1, PLAT OF BURLEY'S GARDEN TRACTS, LYING WEST OF COUNTY ROAD, ACCORDING TO THE PLAT THEREOF, RECORDED IN VOLUME 9 OF PLATS, PAGE 1, RECORDS OF SNOHOMISH COUNTY, WASHINGTON. EXCEPT THAT PORTION CONVEYED TO SNOHOMISH COUNTY BY DEED RECORDED UNDER AUDITOR'S FILE NUMBER 200107120122.

### SITE INFORMATION

TOTAL AREA: 3.07 AC  
 DISTURBED AREA: 2.72 AC  
 BUFFER AREA: 0.35 AC

### CUT/FILL QUANTITIES:

CUT = 3,000 CY  
 FILL = 3,600 CY  
 NOTE: QUANTITIES CALCULATED FROM EXISTING GRADE TO FINISHED GRADE WITH NO OTHER FACTORS ACCOUNTED FOR.

### SHEET INDEX

- 1 - COVER SHEET
- 2 - TESC/SWPPP
- 3 - TESC DETAILS
- 4 - ROAD & GRADING PLAN & PROFILE
- 5 - ROAD DETAILS
- 6 - STORM PLAN & PROFILE
- 7 - STORM DETAILS
- 8 - WATER & SEWER PLAN & PROFILE
- 9 - WATER AND SEWER DETAILS

### GENERAL NOTES

1. ALL WORK AND MATERIALS SHALL BE IN ACCORDANCE WITH THE LATEST ADDITION OF "STANDARD SPECIFICATIONS FOR ROAD, BRIDGE, AND MUNICIPAL CONSTRUCTION" PREPARED BY WASHINGTON STATE DEPARTMENT OF TRANSPORTATION (WSDOT) TOGETHER WITH "DIVISION 1" APWA SUPPLEMENT, CITY OF MILL CREEK STANDARD SPECIFICATIONS, AND ANY CONDITIONS OF APPROVAL. IT SHALL BE THE SOLE RESPONSIBILITY OF THE APPLICANT AND THE PROFESSIONAL CIVIL ENGINEER TO CORRECT ANY ERROR, OMISSIONS, OR VARIATION FROM THE ABOVE REQUIREMENTS FOUND IN THESE PLANS. ALL CORRECTIONS SHALL BE AT NO ADDITIONAL COST OR LIABILITY TO THE CITY OF MILL CREEK.
2. ALL WORK WITHIN THE SITE SHALL BE SUBJECT TO INSPECTION OF THE CITY ENGINEER OR DESIGNATED REPRESENTATIVE.
3. PRIOR TO BEGINNING ROAD CONSTRUCTION, THE APPLICANT, THEIR ENGINEER AND ROAD CONTRACTOR SHALL MEET WITH THE DEPARTMENT OF PUBLIC WORKS FOR A PRE-CONSTRUCTION MEETING.
4. A COPY OF THESE APPROVED PLANS MUST BE ON SITE WHENEVER CONSTRUCTION IS IN PROGRESS.
5. PRIOR TO ANY SITE CONSTRUCTION THAT INCLUDES CLEARING/LOGGING OR GRADING THE SITE/LOT CLEARING LIMITS SHALL BE LOCATED AND IDENTIFIED BY THE PROJECT SURVEYOR/ENGINEER AS REQUIRED BY THESE PLANS AND APPROVED BY THE CITY.
6. THE TEMPORARY EROSION/SEDIMENTATION CONTROL FACILITY SHALL BE CONSTRUCTED PRIOR TO ANY GRADING OR EXTENSIVE LAND CLEARING IN ACCORDANCE WITH APPROVED TEMPORARY EROSION/SEDIMENTATION CONTROL PLAN. THESE FACILITIES MUST BE SATISFACTORILY MAINTAINED UNTIL CONSTRUCTION AND LANDSCAPING IS COMPLETED AND THE POTENTIAL ON-SITE EROSION HAS PASSED.
7. PUBLIC STREETS SHALL BE CLEANED ONCE PER DAY OR AS DIRECTED BY THE CITY. FLUSHING OF STREETS WITH WATER WILL NOT BE ALLOWED.
8. LOCATION OF EXISTING UTILITIES ARE APPROXIMATE. THE CONTRACTOR SHALL BE RESPONSIBLE FOR VERIFYING THE LOCATION OF EXISTING UTILITIES PRIOR TO CONSTRUCTION. UTILITIES SHOWN HERE ARE FOR THE PURPOSES OF ASSISTING THE CONTRACTOR IN LOCATING SAID UTILITIES. CONTRACTOR SHALL CONTACT UNDERGROUND UTILITIES LOCATION CENTER (1.800.424.5555) 48 HOURS PRIOR TO BEGINNING OF CONSTRUCTION AND OBTAIN ON-SITE LOCATIONS.
9. THE CONTRACTOR SHALL COMPLY WITH ALL NECESSARY PERMITS AND REQUIREMENTS BY THE CITY OF MILL CREEK GOVERNING AUTHORITY/AGENCY.
10. FROM OCTOBER 1 THROUGH APRIL 30, NO SOILS SHALL REMAIN EXPOSED AND UNWORKED FOR MORE THAN 2 DAYS AND FROM MAY 1 THROUGH SEPTEMBER 30, NO SOILS SHALL REMAIN UNWORKED FOR MORE THAN 7 DAYS. ANY UNWORKED SOIL SHALL BE STABILIZED WITH A CITY APPROVED BEST MANAGEMENT PRACTICE (BMP).

### CONSTRUCTION SEQUENCE:

1. HOLD PRE-CONSTRUCTION MEETING.
2. FLAG OR FENCE CLEARING LIMITS & CRITICAL AREAS PRIOR TO CLEARING/GRADING.
3. INSTALL PERIMETER PROTECTION (SILT FENCE).
4. POST A SIGN WITH THE NAME AND PHONE NUMBER OF THE ESC SUPERVISOR.
5. GRADE AND INSTALL CONSTRUCTION ENTRANCE.
6. CONSTRUCT SEDIMENT TRAP (FOR DEWATERING PURPOSES).
7. GRADE AND STABILIZE CONSTRUCTION ROADS.
8. CONSTRUCT SURFACE WATER CONTROLS (INTERCEPTOR DIKES, PIPE SLOPE DRAINS, ETC.) SIMULTANEOUSLY WITH CLEARING AND GRADING FOR PROJECT DEVELOPMENT.
9. MAINTAIN EROSION CONTROL MEASURES IN ACCORDANCE WITH SNOHOMISH COUNTY AND THE CITY OF MILL CREEK STANDARDS AND MANUFACTURER'S RECOMMENDATIONS.
10. RELOCATE SURFACE WATER CONTROLS OR EROSION CONTROL MEASURES, OR INSTALL NEW MEASURES SO THAT AS SITE CONDITIONS CHANGE, THE EROSION AND SEDIMENT CONTROL IS ALWAYS IN ACCORDANCE WITH SNOHOMISH COUNTY EROSION AND SEDIMENT CONTROL STANDARDS.
11. COVER ALL AREAS THAT WILL BE UNWORKED FOR MORE THAN SEVEN DAYS DURING THE DRY SEASON OR TWO DAYS DURING THE WET SEASON WITH STRAW, WOOD FIBER MULCH, COMPOST, PLASTIC SHEETING, OR EQUIVALENT.
12. STABILIZE ALL AREAS WITHIN SEVEN DAYS OF REACHING FINAL GRADE.
13. SEED OR SOD ANY AREAS TO REMAIN UNWORKED FOR MORE THAN 30 DAYS.
14. UPON COMPLETION OF THE PROJECT, STABILIZE ALL DISTURBED AREAS WITH A PERMANENT VEGETATIVE GROUND COVER AND REMOVE BMP'S IF APPROPRIATE.

### NOTES

1. CONTRACTOR SHALL BE FULLY RESPONSIBLE FOR OBTAINING PERMITS FROM THE WASHINGTON STATE DEPARTMENT OF NATURAL RESOURCES FOR REMOVING AND REPLACING ALL SURVEY MONUMENTATION THAT MAY BE AFFECTED BY CONSTRUCTION ACTIVITY PURSUANT TO WAC 32-120. APPLICATIONS MUST BE COMPLETED BY A REGISTERED LAND SURVEYOR. APPLICATIONS FOR PERMITS TO REMOVE MONUMENTS MAY BE OBTAINED FROM THE WASHINGTON STATE DEPARTMENT OF NATURAL RESOURCES, OR BY CONTACTING THEIR OFFICE BY TELEPHONE AT (206.902.1190).

WASHINGTON STATE DEPARTMENT OF NATURAL RESOURCES  
 PUBLIC LAND SURVEY OFFICE  
 1111 WASHINGTON STREET SE  
 P.O. BOX 47060  
 OLYMPIA, WASHINGTON 98504-7060

A COPY OF THE APPLICATION SHALL BE FORWARDED TO THE CITY OF MILL CREEK CITY ENGINEER. UPON COMPLETION OF CONSTRUCTION, ALL MONUMENTS DISPLACED, REMOVED, OR DESTROYED SHALL BE REPLACED BY A REGISTERED LAND SURVEYOR. AT THE COST AND THE DIRECTION OF THE CONTRACTOR, PURSUANT TO THESE REGULATIONS. THE APPROPRIATE FORMS FOR THE REPLACEMENT OF SAID MONUMENTATION SHALL ALSO BE THE RESPONSIBILITY OF THE CONTRACTOR.

2. ALL REFERENCES CONTAINED IN THESE PLANS TO THE CITY OF MILL CREEK STANDARD PLANS ARE TO THE MAY 2005 EDITION.

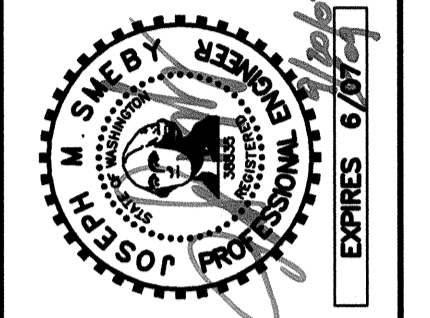
### AS-BUILT NOTE:

THE INFORMATION SHOWN ON THE PLANS IS BASED ON SURVEY INFORMATION PROVIDED BY CURTIS AND ASSOCIATES. THE DESIGN DRAWINGS WERE UPDATED WITH THE AS-BUILT INFORMATION PROVIDED.

ACCEPTED FOR CONSTRUCTION CITY OF MILL CREEK	
DIRECTOR OF PUBLIC WORKS	DATE

ACCEPTED AS IN COMPLIANCE WITH CONDITIONS OF APPROVAL FOR PP 05-62	
DIRECTOR OF COMMUNITY DEVELOPMENT	DATE

BY	DATE	DESCRIPTION
JMS	7/19/07	FINAL AS-BUILTS
JMS	10/06	AS-BUILTS
JMS	10/05	REV. PER CITY COMMENTS
JMS	9/05	REV. PER CITY COMMENTS
JMS	8/05	REVISED PER CITY COMMENTS
JMS	7/05	CONSTRUCTION SUBMITTAL



# AS-BUILTS

## COVER SHEET

2210 HEWITT AVENUE  
 SUITE NUMBER 204  
 EVERETT, WA 98201  
 1 425.387.3820  
 1 425.259.1958



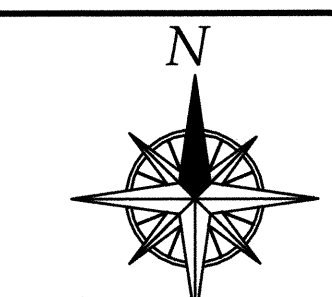
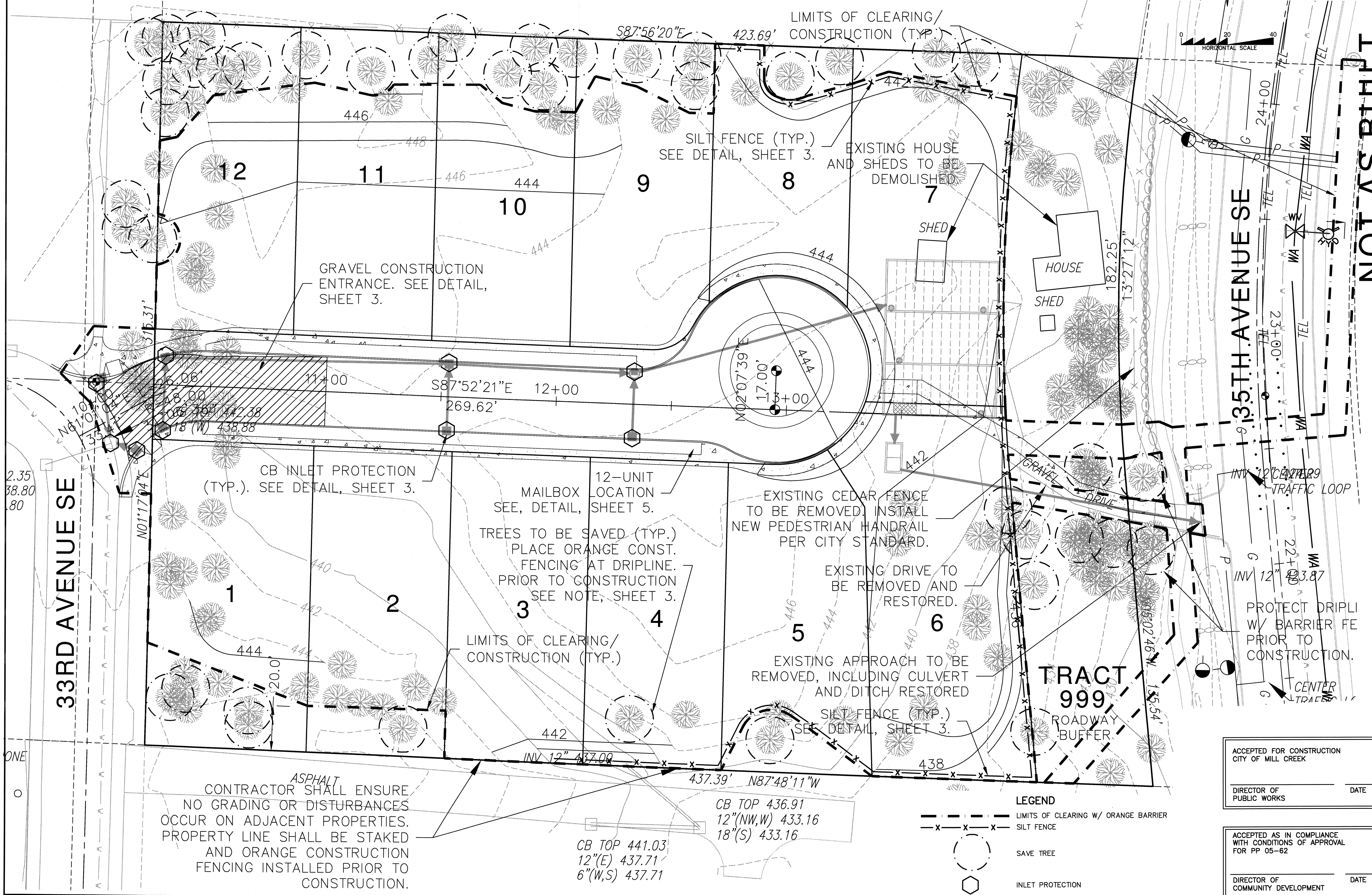
## DOUGLAS ADDITION

Mill Creek, Washington  
 PORTION OF SECTION 5, TOWNSHIP  
 27 NORTH, RANGE 5 EAST, W.M.  
 McNaughton Group

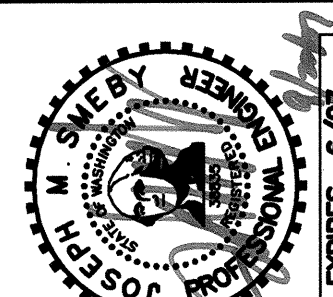
PROJ. NO.	05-027	DRN. BY:	JMS
DATE:	6/29/05		
SCALE:	1" = 40'		
DRAWING NO.	1 of 9		

# DOUGLAS ADDITION

NE 1/4, SECTION 5, TOWNSHIP 27N., RANGE 5E., W.M.



R#	DATE	DESCRIPTION
1	7/19/07	FINAL AS-BUILTS
2	10/06	AS-BUILTS
3	10/05	REV. PER CITY COMMENTS
4	9/05	REV. PER CITY COMMENTS
5	8/05	REVISED PER CITY COMMENTS
6	7/05	CONSTRUCTION SUBMITTAL



TESC/SWPPP

2210 HEWITT AVENUE  
SUITE NUMBER 204  
EVERETT, WA 98201  
1 425.387.3820  
1 425.259.1958



DOUGLAS ADDITION

Mill Creek, Washington  
PORTION OF SECTION 5, TOWNSHIP  
27 NORTH, RANGE 5 EAST, W.M.  
McNaughton Group

ACCEPTED FOR CONSTRUCTION  
CITY OF MILL CREEK  
DIRECTOR OF PUBLIC WORKS \_\_\_\_\_ DATE \_\_\_\_\_

ACCEPTED AS IN COMPLIANCE  
WITH CONDITIONS OF APPROVAL  
FOR PP 05-62  
DIRECTOR OF COMMUNITY DEVELOPMENT \_\_\_\_\_ DATE \_\_\_\_\_

**LEGEND**

	LIMITS OF CLEARING W/ ORANGE BARRIER
	SILT FENCE
	SAVE TREE
	INLET PROTECTION

CONTRACTOR SHALL ENSURE NO GRADING OR DISTURBANCES OCCUR ON ADJACENT PROPERTIES. PROPERTY LINE SHALL BE STAKED AND ORANGE CONSTRUCTION FENCING INSTALLED PRIOR TO CONSTRUCTION.

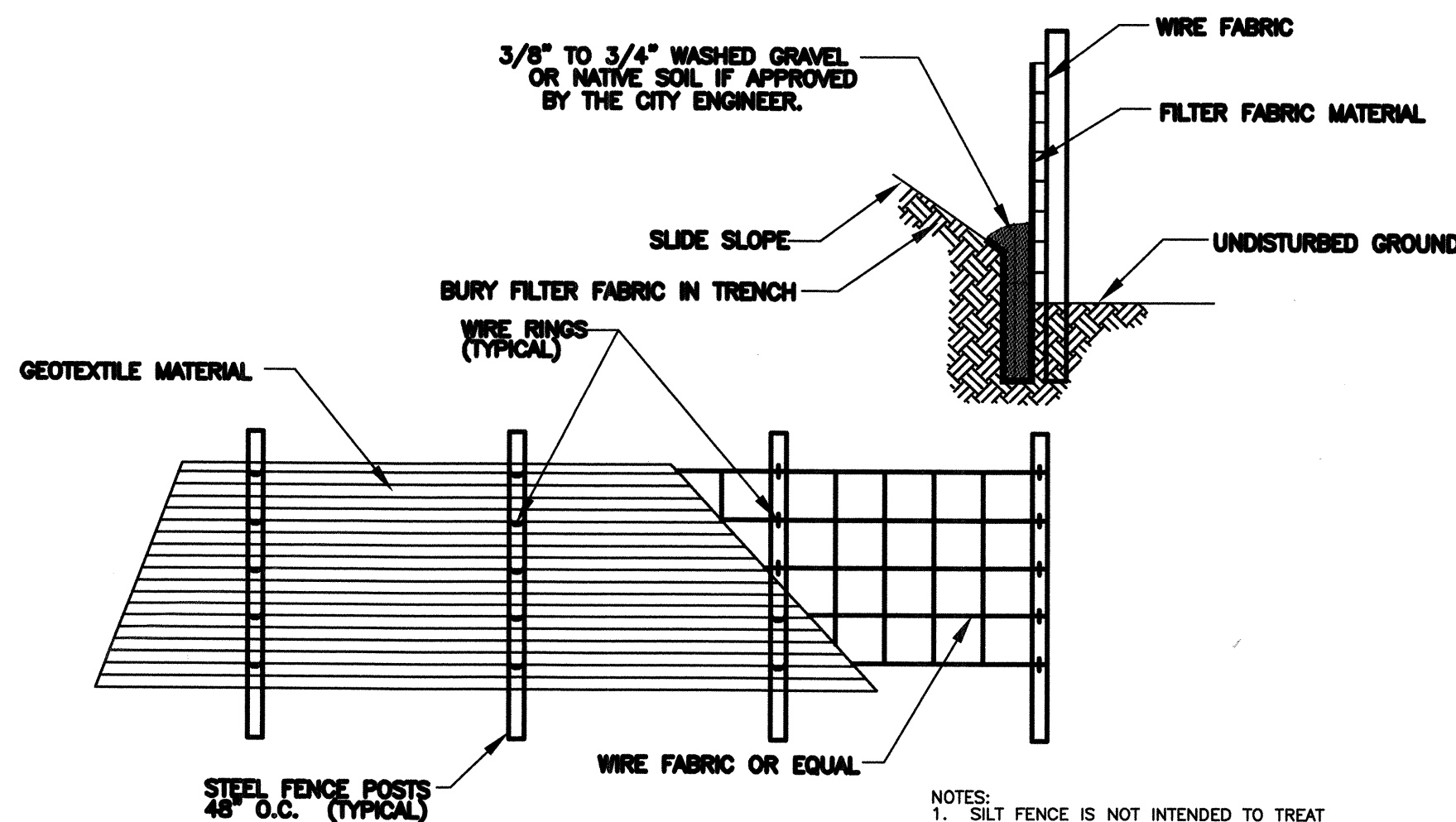
CB TOP 441.03  
12"(E) 437.71  
6"(W,S) 437.71

CB TOP 436.91  
12"(NW,W) 433.16  
18"(S) 433.16

**NOT AS-BUILT**

# DOUGLAS ADDITION

NE 1/4, SECTION 5, TOWNSHIP 27N., RANGE 5E., W.M.



STANDARD PLANS		STM 014
TYPICAL SILT FENCE DETAIL		
APPROVED: <i>Douglas Johnson</i> Director of Public Works/City Engineer		
Revision: JAN 2003	Not To Scale	By: M.C.

- NOTES:
- SILT FENCE IS NOT INTENDED TO TREAT CONCENTRATED FLOWS, NOR IS IT INTENDED TO TREAT SUBSTANTIAL AMOUNTS OF OVERLAND FLOW. ANY CONCENTRATED FLOWS MUST BE CONVEYED THROUGH THE DRAINAGE SYSTEM TO A SEDIMENT POND.
  - THE GEOTEXTILE USED SHALL MEET THE FOLLOWING: POLYMERIC MESH ADS (ASTM D4751) 0.60MM MAX. FOR SILT FILM WOVENS (#50 SIEVE), 0.30MM MAX. FOR ALL OTHER GEOTEXTILE TYPES (#50 SIEVE), 0.15MM MIN. FOR ALL FABRIC TYPES (#100 SIEVE).
  - STANDARD STRENGTH FABRICS SHALL BE SUPPORTED WITH WIRE MESH, CHICKEN WIRE, 2-INCH X 2-INCH WIRE SAFETY FENCE, OR AS APPROVED BY THE CITY ENGINEER.
  - THE MINIMUM HEIGHT OF THE TOP OF SILT FENCE SHALL BE 2 FEET AND THE MAXIMUM HEIGHT SHALL BE 2.5 FEET ABOVE THE ORIGINAL GROUND SURFACE.
  - THE FENCE POSTS SHALL BE PLACED OR DRIVEN A MINIMUM OF 18 INCHES. FENCE POSTS DEPTHS SHALL BE INCREASED BY 6 INCHES IF THE FENCE IS LOCATED ON SLOPES OF 3:1 OR STEEPER AND THE SLOPE IS PERPENDICULAR TO THE FENCE.
  - SILT FENCE BARRIERS SHALL BE INSPECTED IMMEDIATELY AFTER EACH RAINFALL AND AT LEAST DAILY DURING PROLONGED RAINFALL.

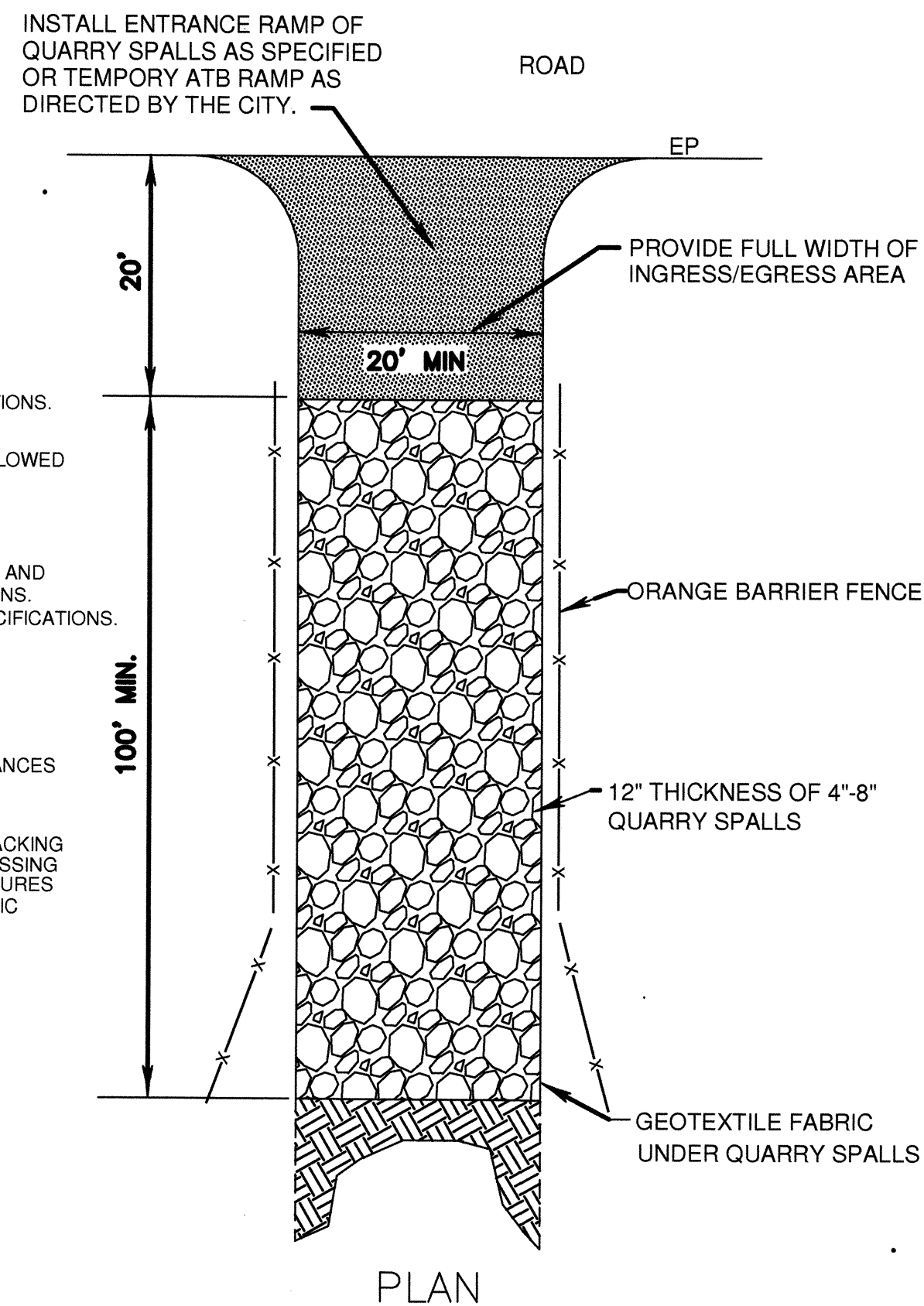
**DETAIL NOTES:**

- 4" TO 8" QUARRY SPALLS AS SPECIFIED IN SECTION 9-13.6 OF THE WSDOT STANDARD SPECIFICATIONS.
- THE MINIMUM LENGTH SHALL BE LENGTHENED AS NECESSARY TO ENSURE MATERIAL IS NOT TRACKED INTO THE PUBLIC RIGHT-OF-WAY. ALTERNATE CONSTRUCTION ENTRANCES WILL BE ALLOWED WITH APPROVAL OF THE CITY ENGINEER ON A CASE BY CASE BASIS, WHERE PHYSICAL SITE CONDITIONS AND SIZE DICTATE.
- INSTALL ORANGE BARRIER FENCE TO DIRECT TRAFFIC ONTO CONSTRUCTION ENTRANCE.
- INSTALLATION: THE AREA OF THE ENTRANCE SHOULD BE CLEARED OF ALL VEGETATION, ROOTS, AND OTHER OBJECTIONABLE MATERIAL. THE GRAVEL SHALL BE PLACED TO THE SPECIFIED DIMENSIONS. IF WASH RACKS ARE USED, THEY SHOULD BE INSTALLED ACCORDING TO MANUFACTURER'S SPECIFICATIONS.

**GENERAL NOTES:**

- SURFACE WATER - ALL SURFACE WATER FLOWING OR DIVERTED TOWARD CONSTRUCTION ENTRANCES SHALL BE PIPED ACROSS THE ENTRANCE IF PIPING IS IMPRACTICAL, A MOUNTABLE BERM WITH 5:1 SLOPES WILL BE PERMITTED.
- MAINTENANCE - THE ENTRANCE SHALL BE MAINTAINED IN A CONDITION WHICH WILL PREVENT TRACKING OR FLOWING OF SEDIMENT ONTO PUBLIC RIGHT-OF-WAY. THIS MAY REQUIRE PERIODIC TOP DRESSING WITH ADDITIONAL STONE AS CONDITIONS DEMAND AND REPAIR AND/OR CLEANOUT OF ANY MEASURES USED TO TRAP SEDIMENT. ALL SEDIMENT SPILLED, DROPPED, WASHED OR TRACKED ONTO PUBLIC RIGHT-OF-WAY MUST BE REMOVED IMMEDIATELY.
- WHEELS SHALL BE CLEANED TO REMOVE SEDIMENT PRIOR TO ENTRANCE ONTO PUBLIC RIGHT-OF-WAY. WHEN WASHING IS USED, IT SHALL BE DONE ON AN AREA STABILIZED WITH STONE AND WHICH DRAINS INTO AN APPROVED SEDIMENT TRAPPING DEVICE.
- PERIODIC INSPECTION AND NEEDED MAINTENANCE SHALL BE PROVIDED AFTER EACH RAIN.

STANDARD PLANS		STR 061
GRAVEL CONSTRUCTION ENTRANCE		
APPROVED: <i>Douglas Johnson</i> Director of Public Works/City Engineer		
REVISION: JAN 2003	NOT TO SCALE	BY: LC

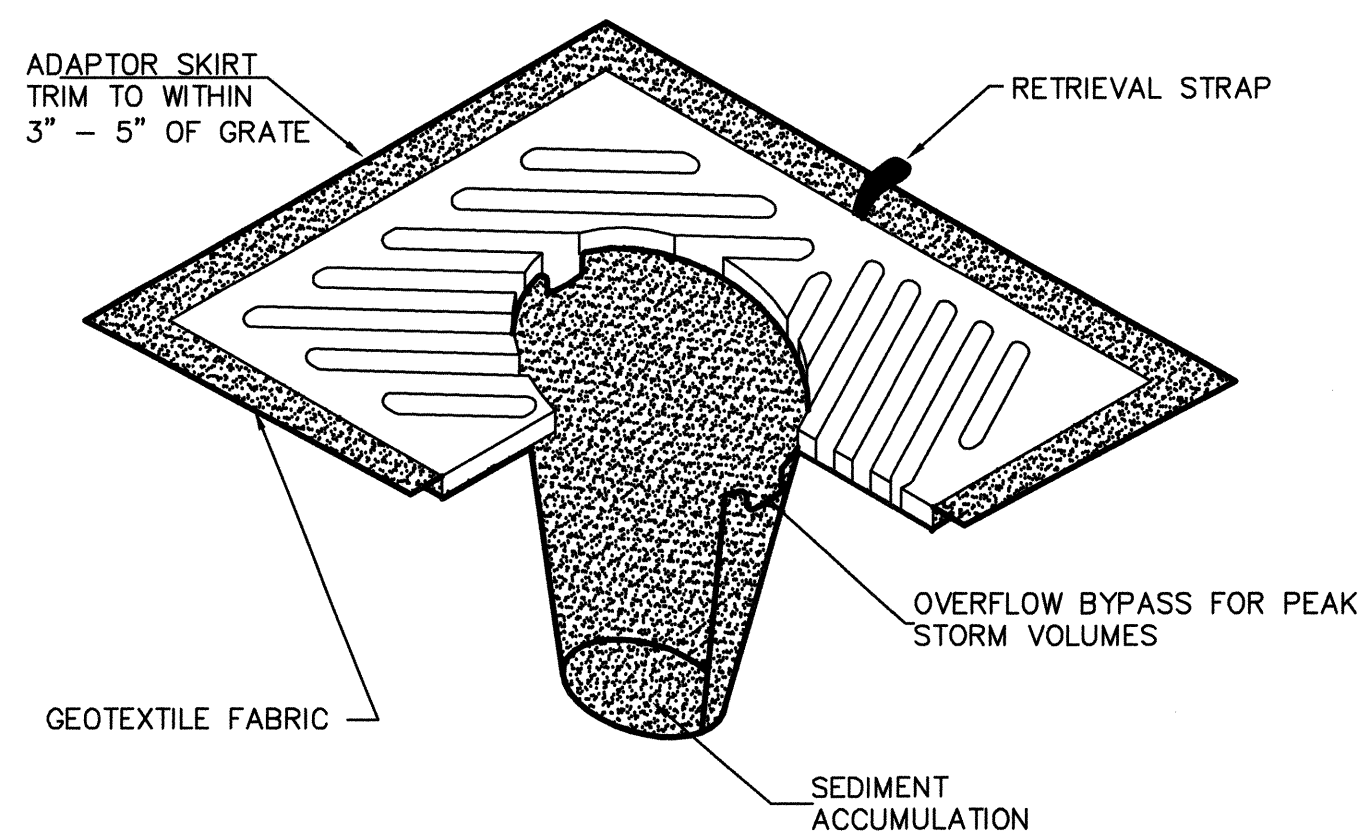


**TREE PROTECTION NOTE:**

TREES DESIGNATED FOR PRESERVATION THAT ARE DAMAGED OR REMOVED SHALL BE REPLACED AT A RATIO OF 3:1. THE REPLACEMENT TREES SHALL BE CONIFEROUS SPECIES AND HAVE A MINIMUM HEIGHT AT PLANTING OF TWELVE FEET. IN ADDITION, A PENALTY OF \$1,000.00 PER TREE MAY BE ASSESSED FOR ANY TREES THAT ARE REMOVED OR DESTROYED BY THE APPLICANT OR HIS AGENT WITHOUT THE EXPRESS APPROVAL OF THE CITY. THE CITY MAY, AT ITS DISCRETION, ISSUE A STOP WORK ORDER FOR THE CONSTRUCTION UNTIL THE PENALTY IS PAID.

**NOTES**

- INSERT SHALL BE INSTALLED PRIOR TO CLEARING AND GRADING ACTIVITY, OR UPON PLACEMENT OF A NEW CATCH BASIN.
- SEDIMENT SHALL BE REMOVED FROM THE UNIT WHEN IT BECOMES HALF FULL.
- SEDIMENT REMOVAL SHALL BE ACCOMPLISHED BY REMOVING THE INSERT, EMPTYING, AND RE-INSERTING IT INTO THE CATCH BASIN.



CATCH BASIN INLET PROTECTION INSERT  
N.T.S.

CALL 48 HOURS  
BEFORE YOU DIG  
1-800-424-5555

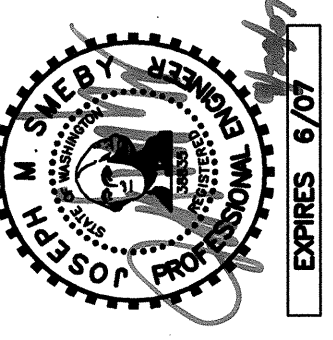
ACCEPTED FOR CONSTRUCTION  
CITY OF MILL CREEK

DIRECTOR OF PUBLIC WORKS \_\_\_\_\_ DATE \_\_\_\_\_

ACCEPTED AS IN COMPLIANCE  
WITH CONDITIONS OF APPROVAL  
FOR PP 05-62

DIRECTOR OF COMMUNITY DEVELOPMENT \_\_\_\_\_ DATE \_\_\_\_\_

BY	DESCRIPTION	DATE
JMS	FINAL AS-BUILTS	7/19/07
JMS	AS-BUILTS	10/06
JMS	REV. PER CITY COMMENTS	10/05
JMS	REV. PER CITY COMMENTS	9/05
JMS	CONSTRUCTION SUBMITTAL	7/05



TESC DETAILS

2210 HEWITT AVENUE  
SUITE NUMBER 204  
EVERETT, WA 98201  
1 425.387.3820  
1 425.259.1958



DOUGLAS ADDITION

Mill Creek, Washington  
PORTION OF SECTION 5, TOWNSHIP  
27 NORTH, RANGE 5 EAST, W.M.  
McNaughton Group

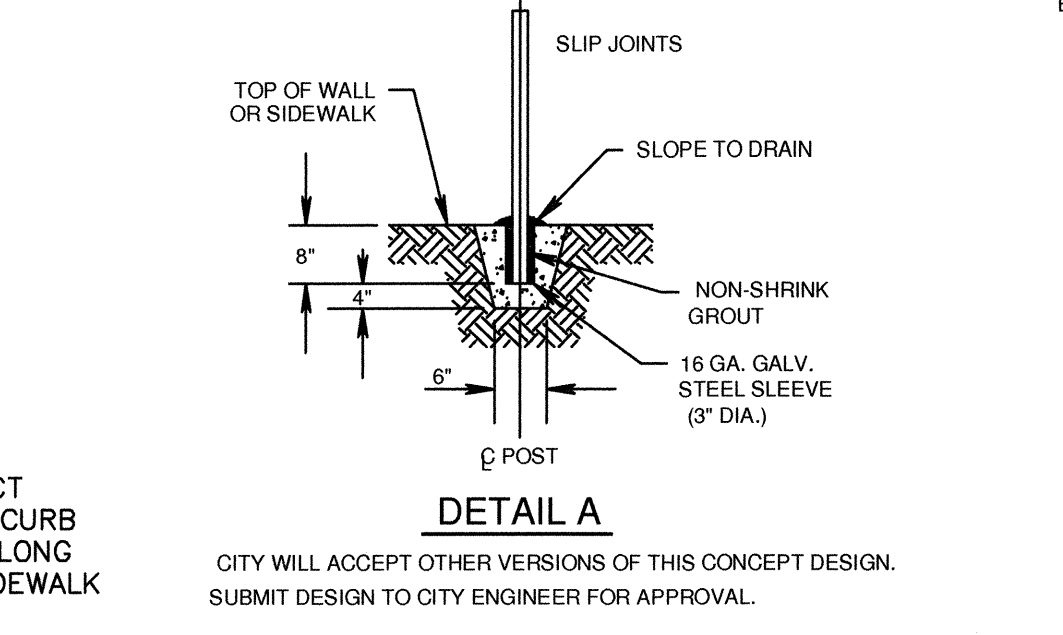
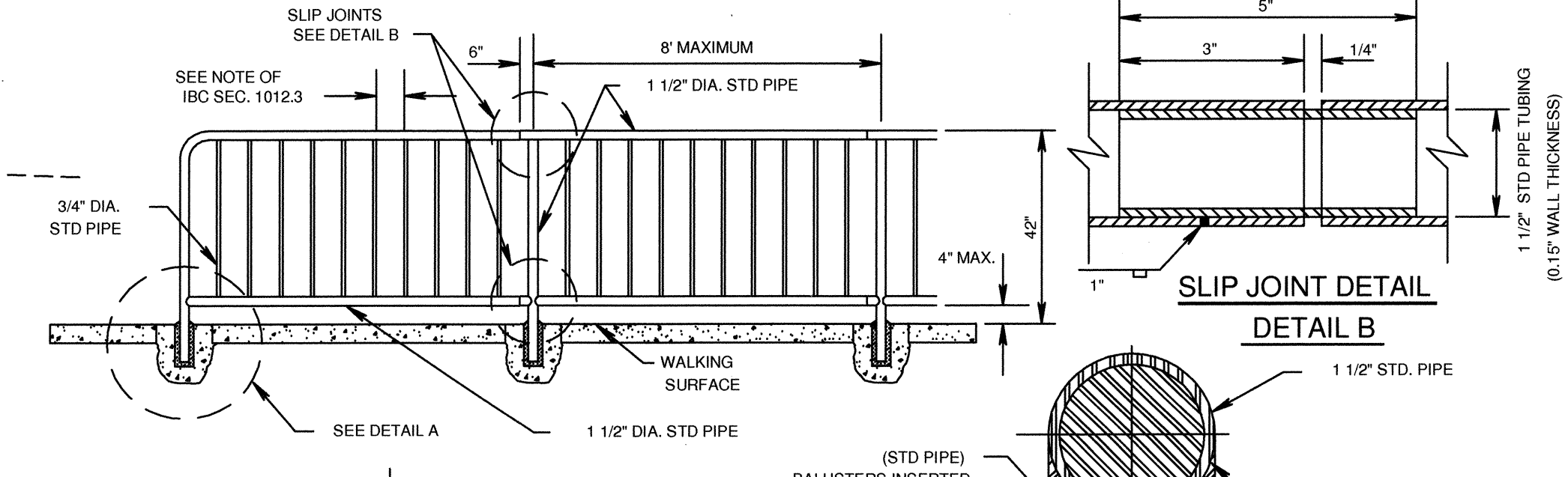
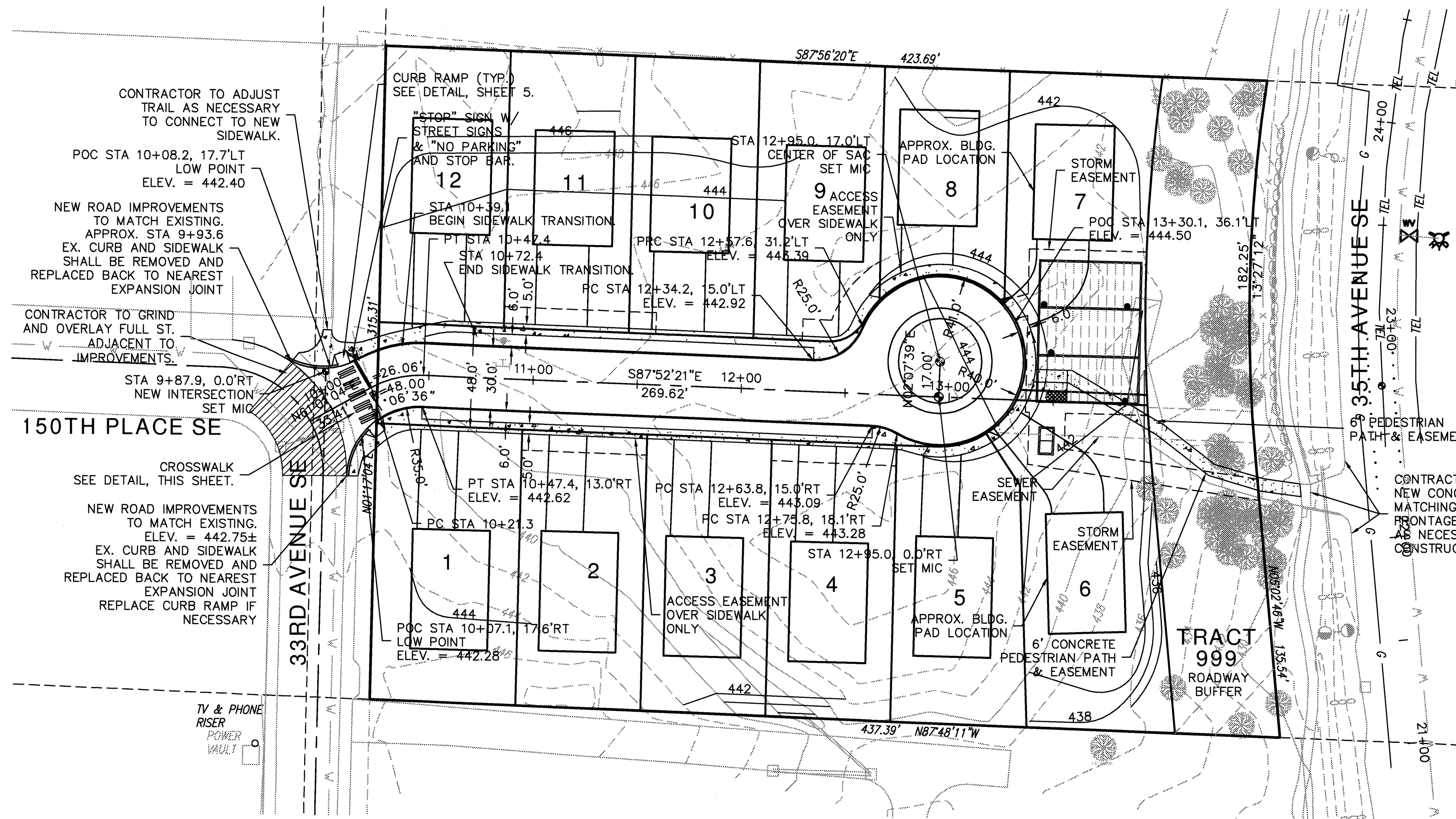
PROJ. NO.	05-027	DRN. BY:	JMS
DATE:	6/29/05		
SCALE:	1" = 40'		
DRAWING NO.	3		9

# DOUGLAS ADDITION

## NE 1/4, SECTION 5, TOWNSHIP 27N., RANGE 5E., W.M.

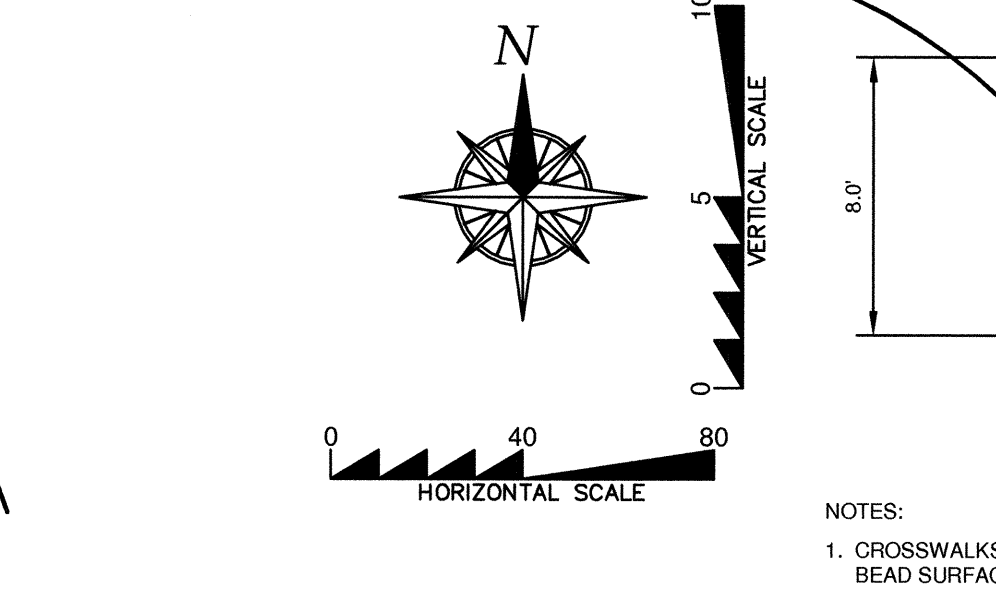
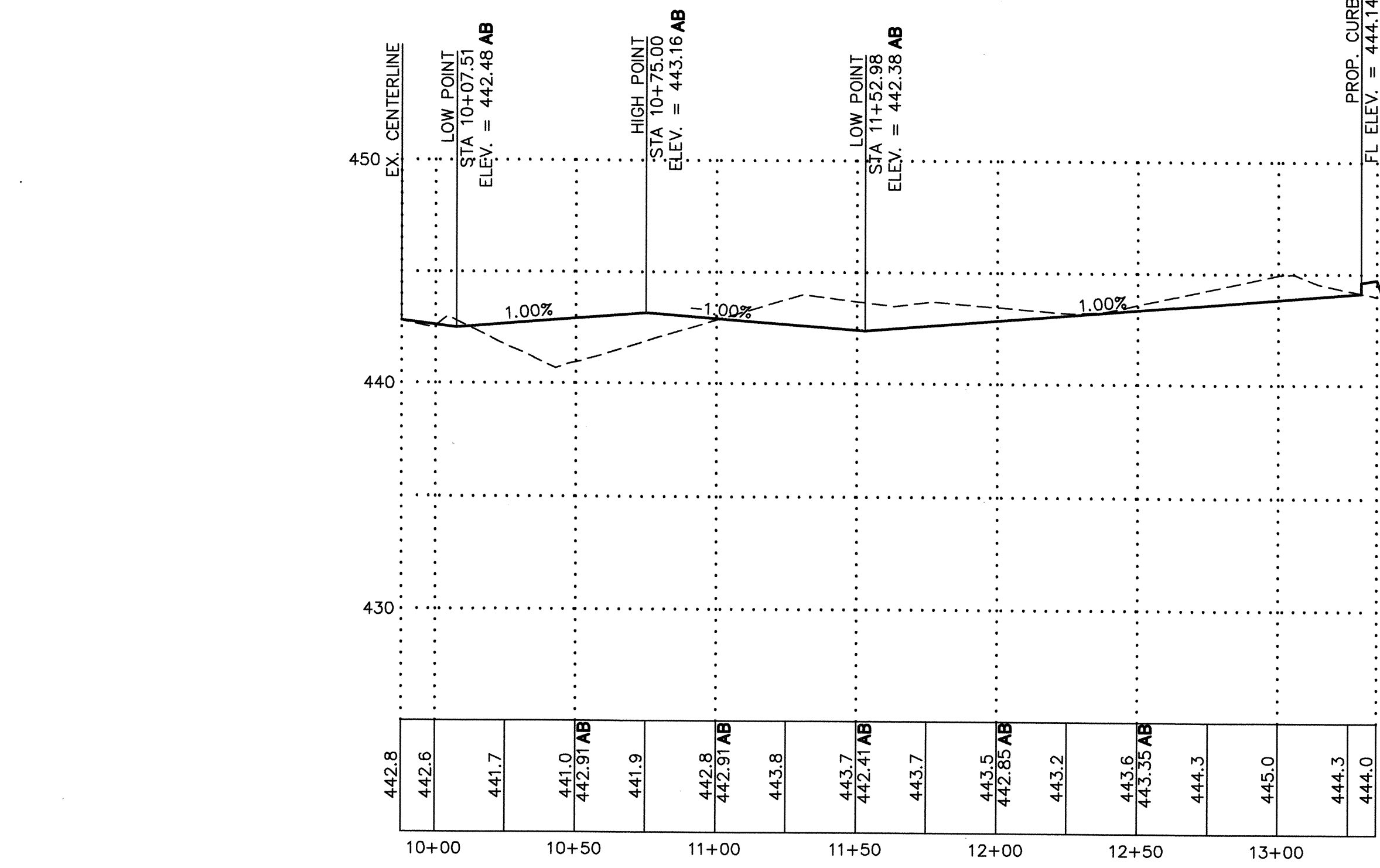
**CURB NOTE:**  
 THE CONNECTION TO THE EXISTING CURB WITHIN 150TH PLACE SE AND 33RD AVENUE SE SHALL BE MADE WITH ROLLED CURB AND EXTENDED TO THE WEST SIDE OF THE NEW CURB RAMPS PROPOSED AT THE NEW INTERSECTION. VERTICAL CURB AND GUTTER SHALL BEGIN FROM THE EAST SIDE OF THE CURB RAMP AND EXTENDED INTO THE PROJECT.

**AS-BUILT NOTE:**  
 THE INFORMATION SHOWN ON THE PLANS IS BASED ON SURVEY INFORMATION PROVIDED BY CURTIS AND ASSOCIATES. THE DESIGN DRAWINGS WERE UPDATED WITH THE AS-BUILT INFORMATION PROVIDED. ROAD CENTERLINE AND CURB INFORMATION SHOWN ON THIS SHEET ARE DESIGN GRADES AND NOT AS-BUILT BY THE SURVEYOR.



- NOTES:**
- MATERIAL FOR PEDESTRIAN HANDRAIL SHALL BE ALUMINUM (ASTM B-429) POWDER COATED OR ANODIZED (CLASS 1) W/ MIN. COATING THICKNESS OF 0.7 MILS. COLOR OF COATING SHALL BE BLACK, BRONZE, OR DARK BRONZE AS APPROVED BY CITY. OR HOT DIPPED GALVANIZED STEEL (ASTM 120) AS APPROVED BY THE CITY.
  - PROVIDE SLIP JOINTS AT STAIRWAY EXPANSION JOINTS AND AT EVERY 24 FEET ON CENTER (MAXIMUM).
  - STEEL RAILINGS MATERIALS SHALL BE WELDED OR SEAM-LESS STEEL PIPE CONFORMING TO THE REQUIREMENTS OF ASTM A 120 STRUCTURAL STEEL CONFORMING TO ASTM A 36, OR TUBULAR SECTIONS OF HOT ROLLED MILD STEEL, CONFORMING TO ASTM A 501. ALL WELDING SHALL CONFORM TO AMERICAN WELDING SOCIETY STRUCTURAL WELDING CODE AWS D1.1. AFTER FABRICATION EACH SECTION OF RAILING SHALL BE HOT-DIPPED GALVANIZED WITH A MINIMUM ZINC COATING OF 2 OUNCES PER SQUARE FOOT. ALL BURRS AND SHARP EDGES SHALL BE REMOVED PRIOR TO GALVANIZING.
  - FIELD WELDS SHALL BE GALVANIZED WITH 3 COATS OF SUCH MATERIALS AS "GALVALLOY" OR GALVICON. PAINTING OF WELDS WILL NOT BE PERMITTED.
  - HORIZONTAL RAILS AND VERTICAL SUPPORT POSTS SHALL BE 1 1/2 INCH DIAMETER AND BALLUSTERS SHALL BE 3/4 INCH DIAMETER STANDARD WEIGHT GALVANIZED STEEL PIPE. RAILS, POSTS AND BALLUSTERS SHALL BE MACHINE CUT TO PROVIDE A LINEFORM LENGTH PRIOR TO ASSEMBLY.

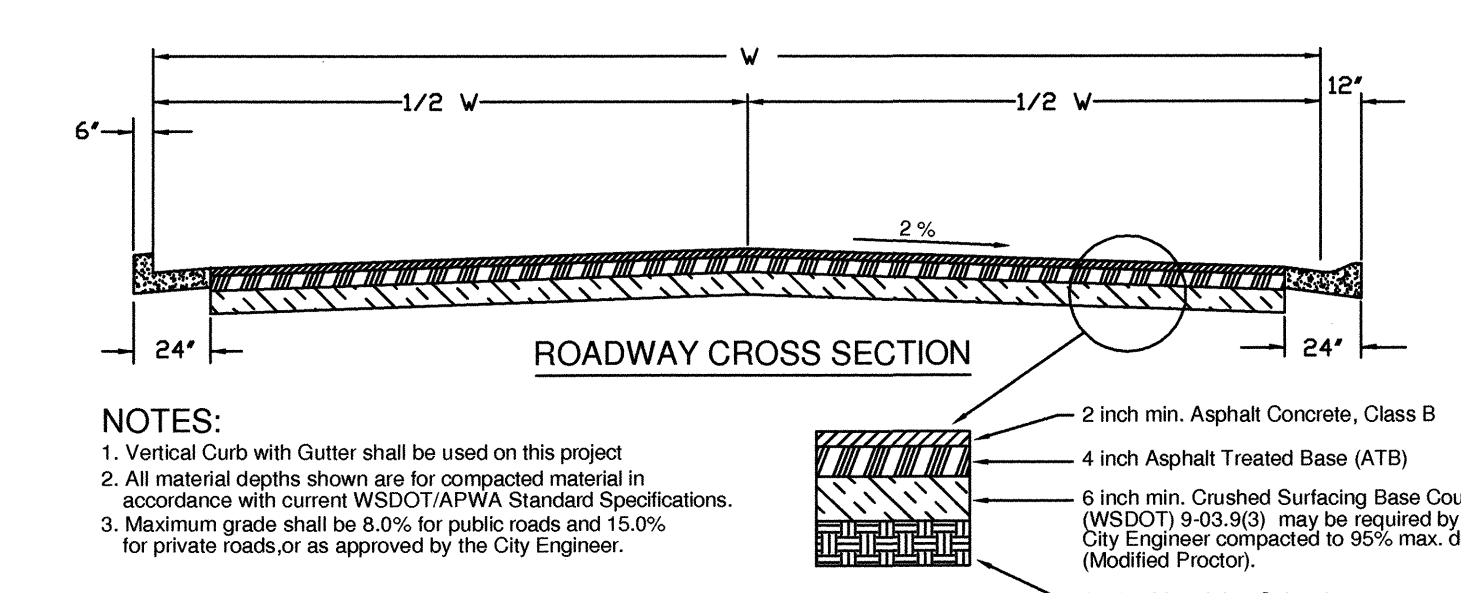
**STANDARD PLANS STR 014**  
**PEDESTRIAN HANDRAIL**  
 APPROVED: [Signature]  
 Director of Public Works/City Engineer  
 REVISION: MAY 2005 NOT TO SCALE BY: L.C.



- NOTES:**
- CROSSWALKS SHALL BE THERMO-PLASTIC WITH GLASS BEAD SURFACE.
  - PAVEMENT SHALL BE SWEEPED BEFORE APPLICATION.
  - LOCATIONS SHALL BE PRE-APPROVED BY THE CITY PRIOR TO INSTALLATION.

**STANDARD PLANS STR 020B**  
**CROSSWALK**  
 APPROVED: [Signature]  
 Director of Public Works/City Engineer  
 REVISION: SEPT 04 NOT TO SCALE BY: L.C.

**STANDARD PLANS STR 012**  
**CUL-DE-SAC/HAMMER HEAD**  
 APPROVED: [Signature]  
 Director of Public Works/City Engineer  
 REVISION: MAY 2005 NOT TO SCALE BY: LC



- NOTES:**
- Vertical Curb with Gutter shall be used on this project
  - All material depths shown are for compacted material in accordance with current WSDOT/APWA Standard Specifications.
  - Maximum grade shall be 8.0% for public roads and 15.0% for private roads or as approved by the City Engineer.

**STANDARD PLANS STR 01**  
**TYPICAL ROAD CROSS SECTION**  
 APPROVED: [Signature]  
 Director of Public Works/City Engineer  
 REVISION: JAN 2003 NOT TO SCALE BY: L.C.

ACCEPTED FOR CONSTRUCTION  
 CITY OF MILL CREEK

DIRECTOR OF PUBLIC WORKS \_\_\_\_\_ DATE \_\_\_\_\_

ACCEPTED AS IN COMPLIANCE  
 WITH CONDITIONS OF APPROVAL  
 FOR PP 05-62

DIRECTOR OF COMMUNITY DEVELOPMENT \_\_\_\_\_ DATE \_\_\_\_\_

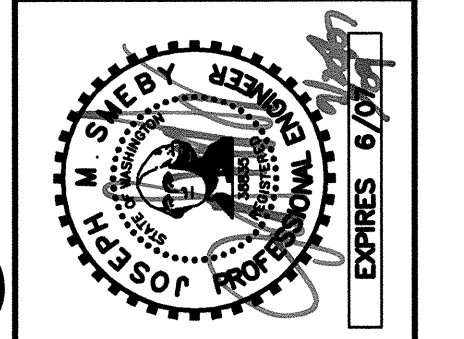
**AS-BUILT ROAD CENTERLINE NOTE:**  
 AT THIS TIME THE ATB LIFT OF ASPHALT HAS BEEN PLACED. BASED ON THE SURVEYOR'S INFORMATION THE ATB LIFT IS WITHIN 2" OF FINAL DESIGN GRADE.

**SURVEY AS-BUILTS WILL BE PROVIDED ONCE THE FINAL LIFT OF CLASS 'B' HAS BEEN PLACED.**

**6' PEDESTRIAN PATH NOTE:**  
 THE PROPOSED 6' CONCRETE PEDESTRIAN PATH CONNECTING THE CUL-DE-SAC TO 35TH AVENUE SE SHALL BE CONSTRUCTED PER THE CITY OF MILL CREEK STANDARD PLAN STR 03a.

**PUBLIC R.O.W. LANDSCAPING NOTE:**  
 THE APPLICANT SHALL SUBMIT FOR CITY APPROVAL A PLANTING PLAN FOR THE PUBLIC STREET AND THE TRAFFIC CIRCLE WITHIN THE PLAT. THE PLANTING PLAN SHALL BE PREPARED BY A LICENSED LANDSCAPE ARCHITECT AND SHALL BE REVIEWED AND APPROVED BY THE CITY'S DESIGN REVIEW BOARD PRIOR TO FINAL PLAT APPROVAL. IMPLEMENTATION OF THE LANDSCAPE PLAN SHALL BE GUARANTEED BY A SECURED AGREEMENT AND SHALL BE COMPLETED PRIOR TO THE OCCUPANCY OF THE LAST HOME.

BY	DATE	DESCRIPTION
JMS	7/19/07	FINAL AS-BUILTS
JMS	10/06	AS-BUILTS
JMS	10/05	REV. PER CITY COMMENTS
JMS	9/05	REV. PER CITY COMMENTS
JMS	8/05	REV. PER CITY COMMENTS
JMS	7/05	CONSTRUCTION SUBMITTAL



**AS-BUILTS**

**ROAD & GRADING PLAN**

2210 HEWITT AVENUE  
 SUITE NUMBER 204  
 EVERETT, WA 98201  
 1-425-387-3820  
 1-425-259-1988

**OMEGA ENGINEERING, INC.**  
 McVaugh Group

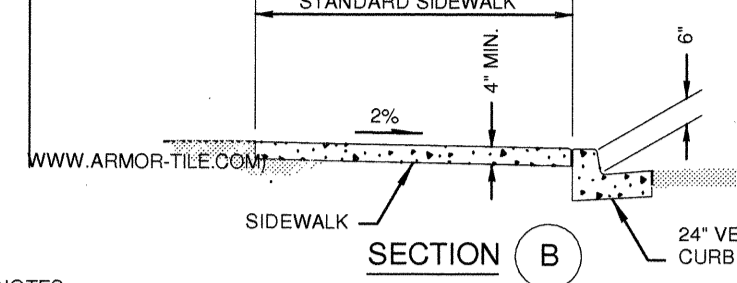
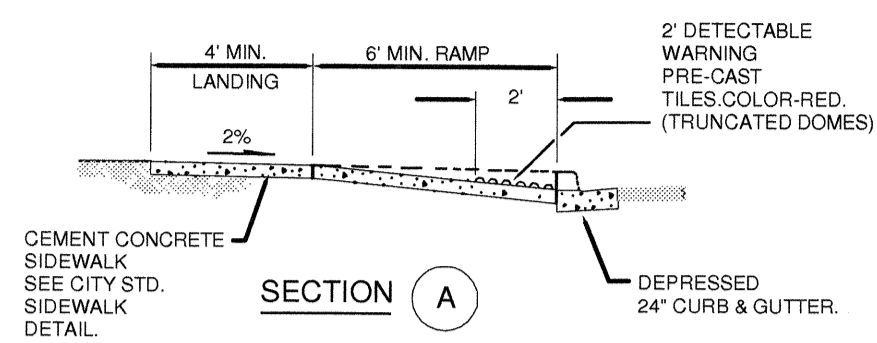
**DOUGLAS ADDITION**

Mill Creek, Washington  
 PORTION OF SECTION 5, TOWNSHIP  
 27 NORTH, RANGE 5 EAST, W.M.  
 McVaugh Group

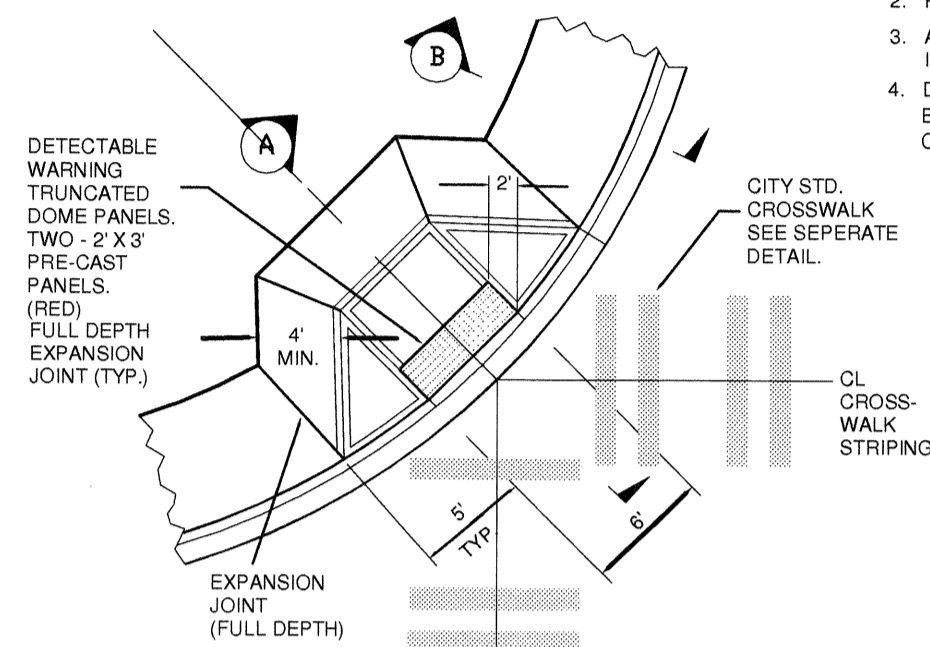
PROJ. NO.	05-027	DRAWN BY:	JMS
DATE:	6/29/05	SCALE:	1" = 40'
DRAWING NO.	4	SHEET NO.	9

# DOUGLAS ADDITION

NE 1/4, SECTION 5, TOWNSHIP 27N., RANGE 5E., W.M.

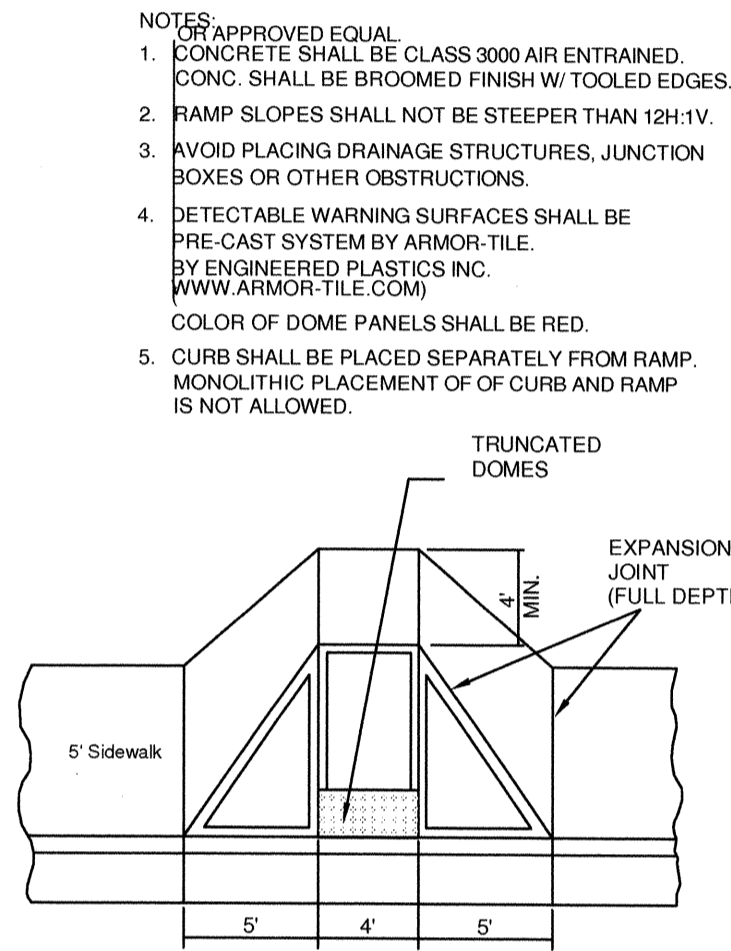


- NOTES:
1. THE TYPE 1A RAMP IS USED TO PROVIDE ACCESS TO TWO CROSSWALKS ONLY WHEN IT IS NOT FEASIBLE TO PROVIDE A SEPARATE RAMP FOR EACH CROSSWALK.
  2. RAMP SLOPES SHALL NOT BE STEEPER THAN 12H:1V.
  3. AVOID PLACING DRAINAGE STRUCTURES, JUNCTION BOXES OR OTHER OBSTRUCTIONS IN FRONT OF RAMP ACCESS AREAS. CURB SHALL BE POURED SEPARATELY FROM RAMP.
  4. DETECTABLE WARNING SURFACES SHALL BE PRE-CAST SYSTEM BY ARMOR-TILE BY ENGINEERED PLASTICS INC. (WWW.ARMOR-TILE.COM). COLOR OF DOME PANELS SHALL BE RED. CONC. SHALL BE BROOMED FINISH W/ TOOLED EDGES.



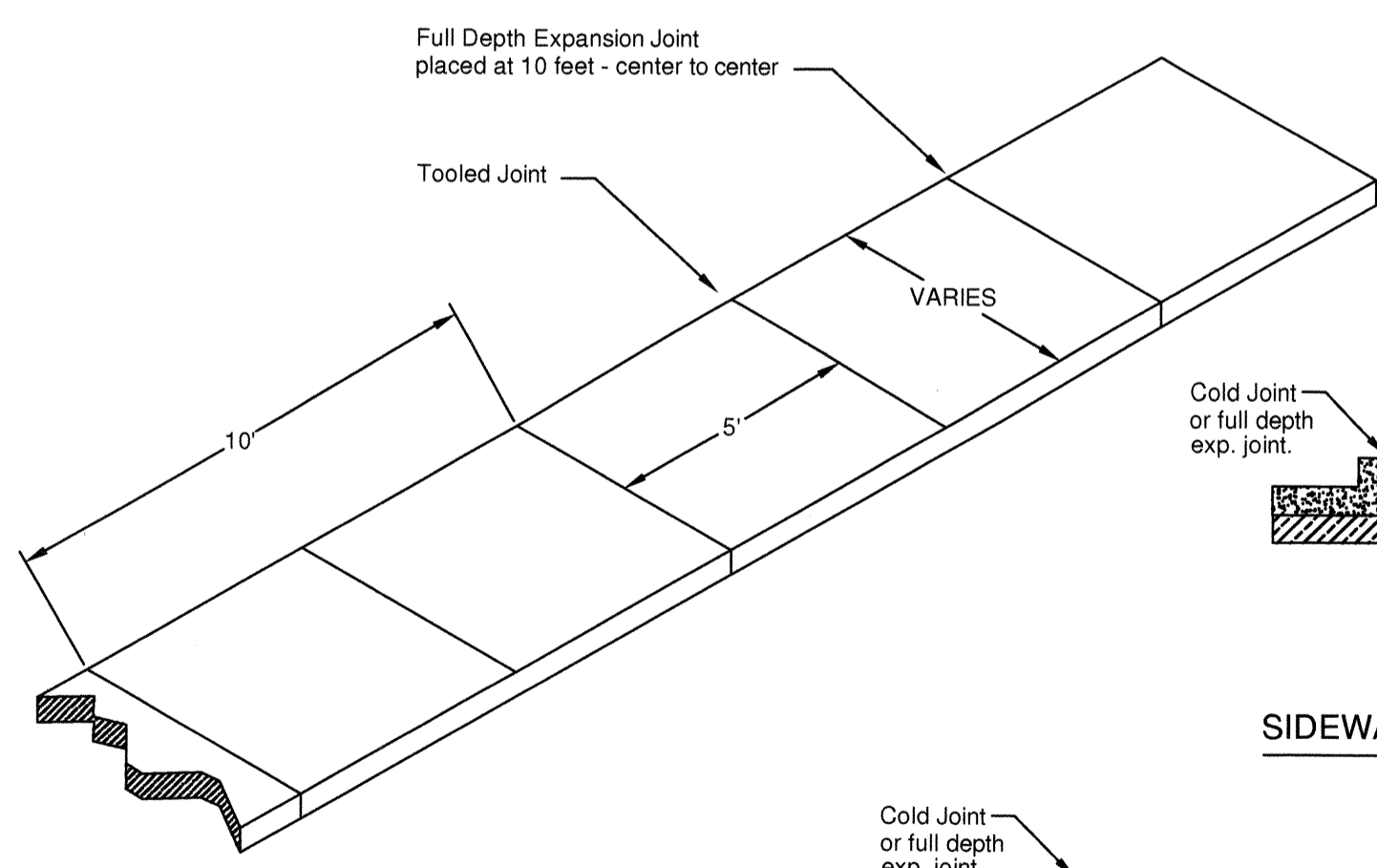
**SIDEWALK RAMP 1A**  
ONE PER CORNER

	<b>STANDARD PLANS</b>	<b>STR 04A</b>
	<b>ACCESS RAMP-CORNER PLACEMENT</b>	APPROVED: <i>[Signature]</i>
REVISION: MAY 2005	NOT TO SCALE	BY: LC



**ACCESS RAMP**  
NOT TO SCALE

	<b>STANDARD PLANS</b>	<b>STR 05</b>
	<b>ACCESS RAMP-SIDEWALK END</b>	APPROVED: <i>[Signature]</i>
REVISION: MAY 2005	NOT TO SCALE	BY: LC

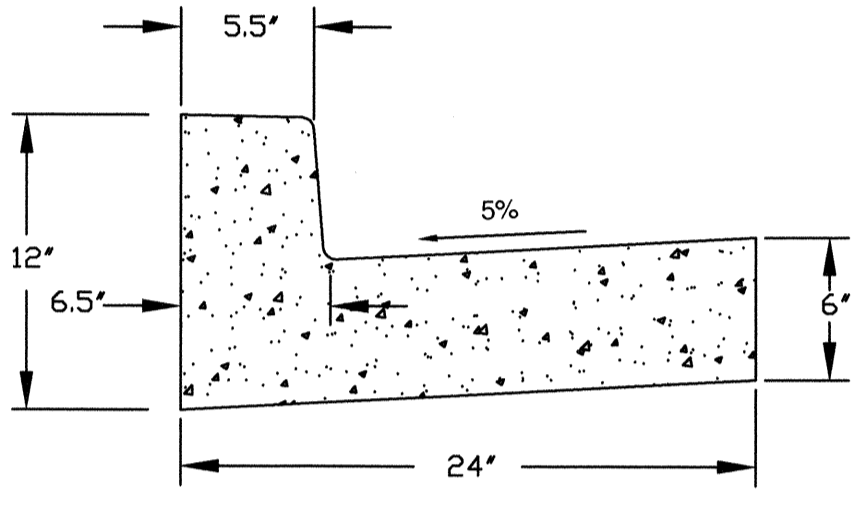


**SIDEWALK WIDTHS**  
REFER TO PLAN

- NOTES:
1. Concrete shall be Class 3000 air entrained.
  2. Thickness shall be 4" typical except at driveways which shall be 6" thick.
  3. Thickened edge shall be used on commercial corners and 2 1/2 feet on both side of a commercial driveway.
  4. Sidewalk shall drain toward the street.
  5. Broom finish surface with tooled joints and edges.
  6. Expansion joint material may be used between curb and sidewalk joint.

	<b>STANDARD PLANS</b>	<b>STR 03a</b>
	<b>CONCRETE SIDEWALK</b>	APPROVED: <i>[Signature]</i>
REVISION: MAR. 2003	NOT TO SCALE	BY: LC

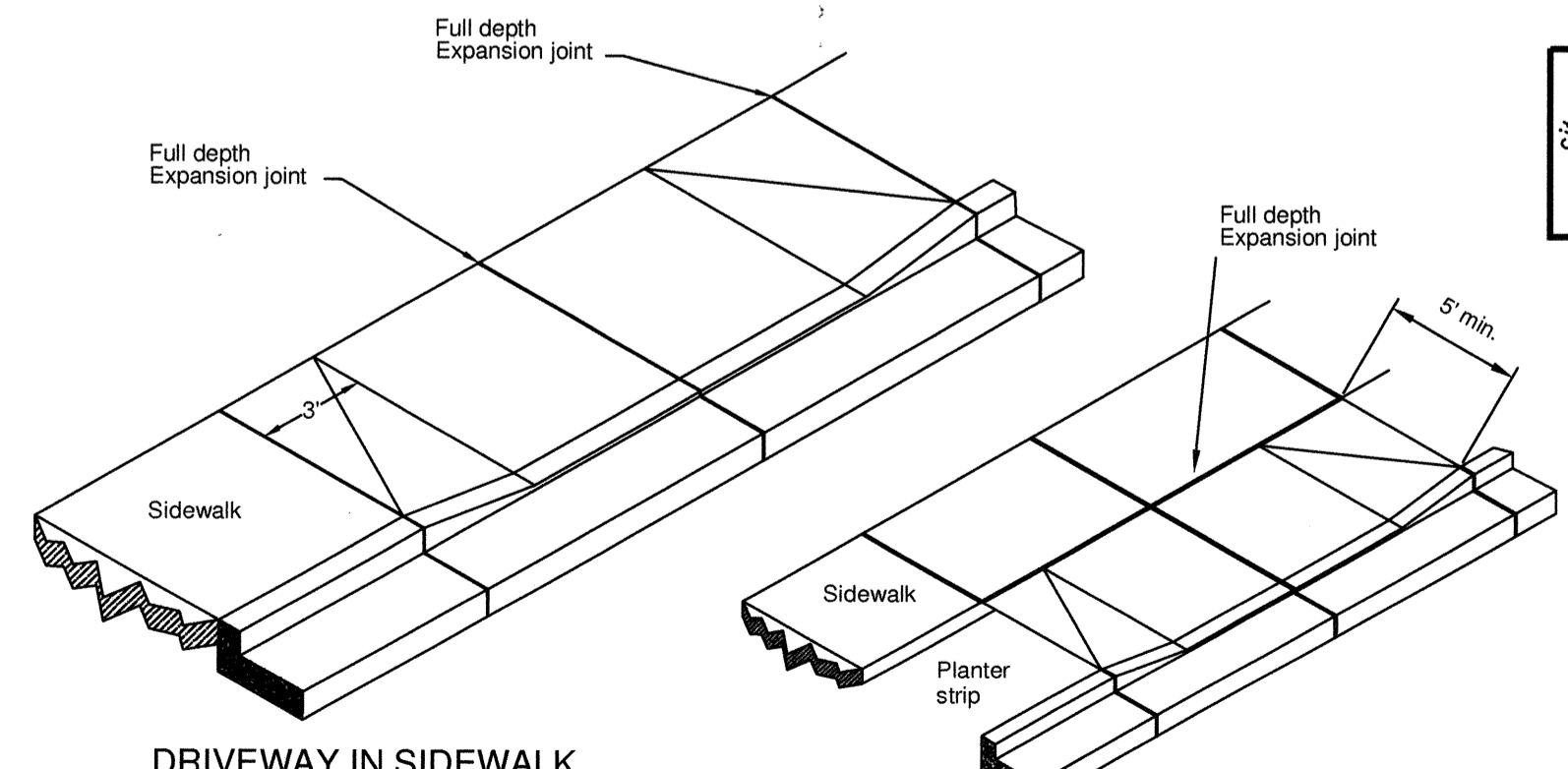
**PLACEMENT**  
VERTICAL CURB AND GUTTER SHALL BE USED ON THIS PROJECT



**VERTICAL CURB & GUTTER**

- NOTES:
1. CONCRETE SHALL BE CLASS 3000 AIR ENTRAINED.
  2. IN-SITU NATIVE MATERIAL MAY BE USED FOR A BASE IF APPROVED BY THE CITY ENGINEER. ALTERNATIVE BASE SHALL BE CRUSHED SURFACING TOP COURSE PER WSDOT SPEC. 9-03.9(3) WITH A MINIMUM DEPTH OF 4 INCHES.
  3. STEEL FORMS SHALL BE USED ON ALL STRAIGHT SECTIONS. WOOD BENDER BOARD SHALL BE USED ON RADIUS.
  4. FULL DEPTH EXPANSION JOINTS SHALL BE PLACED AT 10 FEET CENTER TO CENTER, AT TOP OF EACH DRIVEWAY, AT TOP OF ACCESS RAMPS, AND ON BOTH SIDES OF A CATCH BASIN.
  5. FINISH SHALL BE BROOMED WITH TOOLED EDGES.

	<b>STANDARD PLANS</b>	<b>STR 02</b>
	<b>ROLLED AND VERTICAL CURB AND GUTTER</b>	APPROVED: <i>[Signature]</i>
REVISION: MAY 2005	NOT TO SCALE	BY: LC

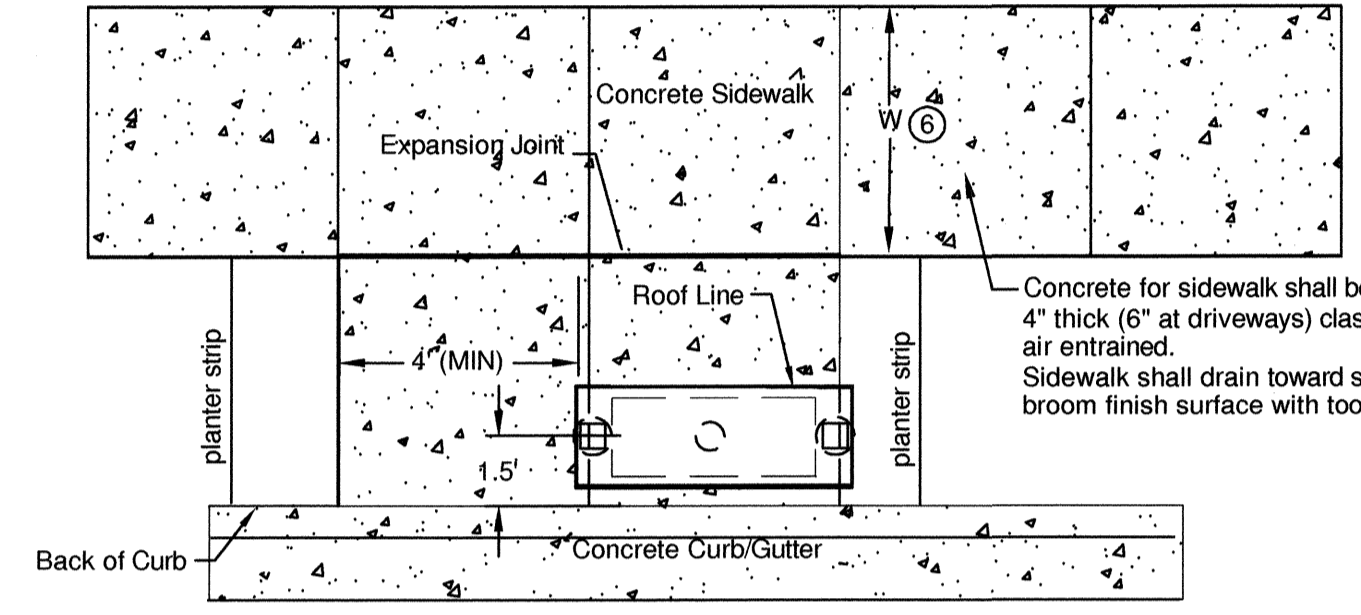
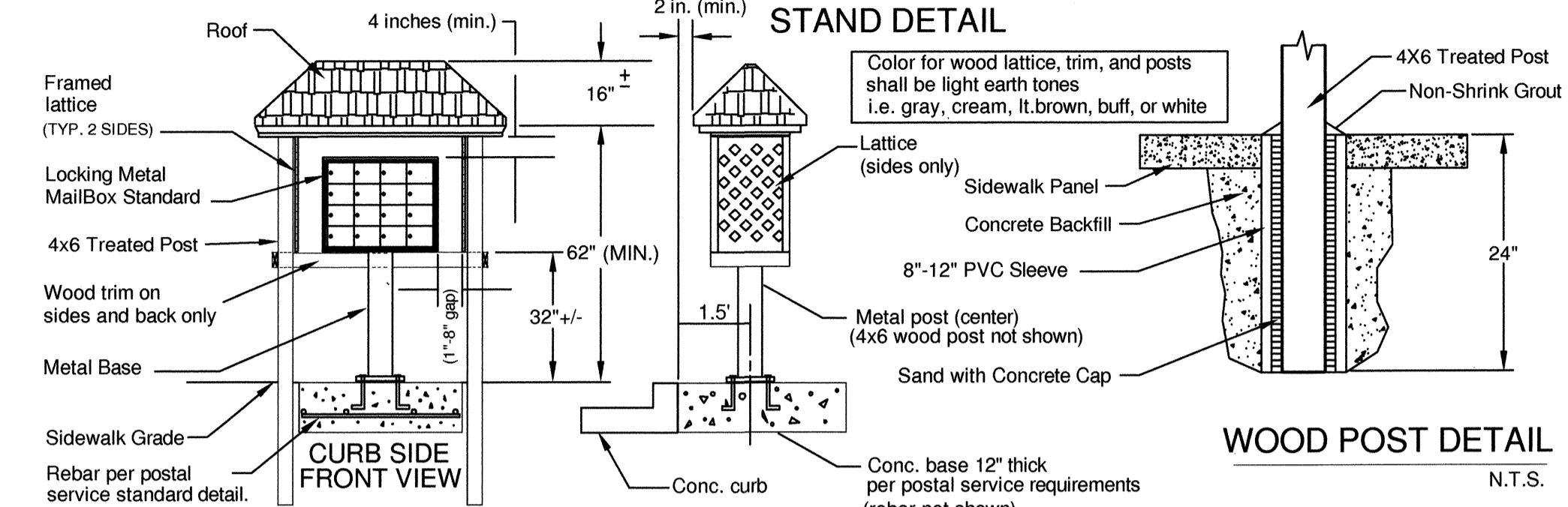


**DRIVEWAY IN SIDEWALK**

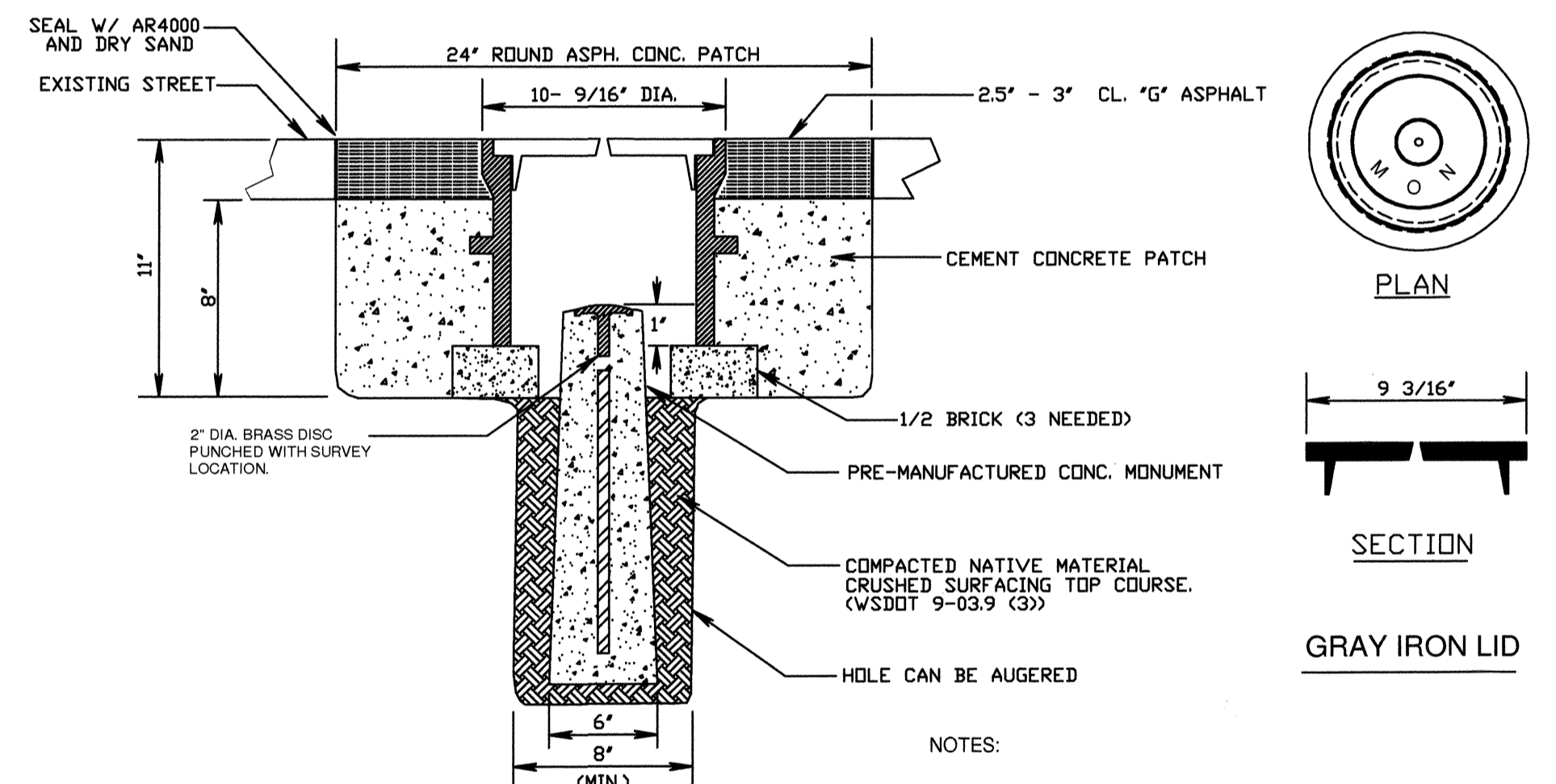
**DRIVEWAY WITH PLANTER STRIP**

- NOTES:
1. Curb and Apron to be poured separately. Monolithic curb and apron is not allowed.
  2. Driveway shall be 6 inches thick Class 3000 concrete air entrained.
  3. Broom finish surface with tooled joints and edges.
  4. Depth of curb and low point shall be 1 inch max. from gutter flow line.

	<b>STANDARD PLANS</b>	<b>STR 06</b>
	<b>VERTICAL CURB DRIVEWAY</b>	APPROVED: <i>[Signature]</i>
REVISION: JAN 2003	NOT TO SCALE	BY: LC

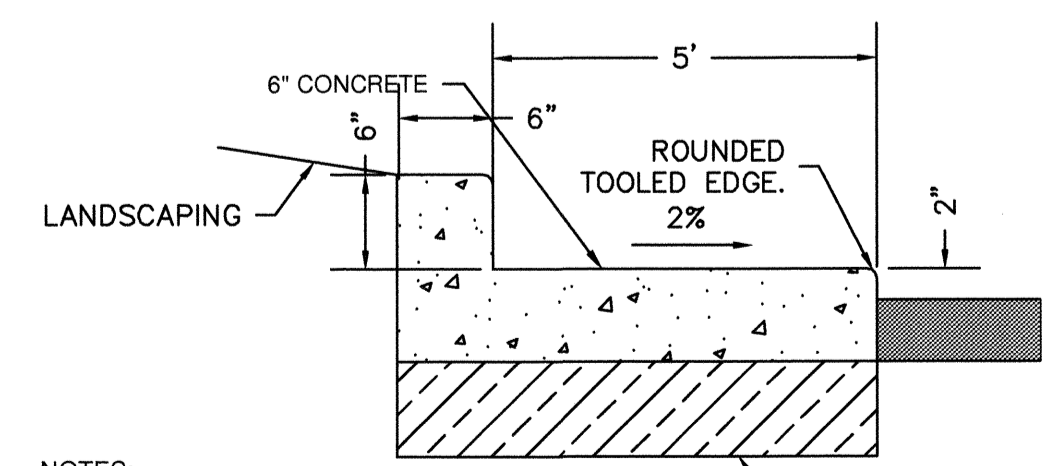


	<b>STANDARD PLANS</b>	<b>R_STR80A</b>
	<b>MAILBOX STAND IN PLANTER STRIP</b>	APPROVED: <i>[Signature]</i>
REVISION: JAN. 2003	NOT TO SCALE	BY: L. C.



	<b>STANDARD PLANS</b>	<b>STR 041</b>
	<b>SURVEY CONTROL MONUMENT</b>	APPROVED: <i>[Signature]</i>
REVISION: FEB 2003	NOT TO SCALE	BY: LC

- NOTES:
1. STANDARD MONUMENT CASE AND COVER - WASHINGTON STATE DEPARTMENT OF TRANSPORTATION STANDARD PLAN H-7.
  2. THE CASTINGS SHALL BE GRAY-IRON CASTINGS, ASTM DESIGNATION A-48, CLASS 35. THE COVER AND SEAT SHALL BE MACHINED SO AS TO HAVE PERFECT CONTACT AROUND THE ENTIRE CIRCUMFERENCE AND FULL WIDTH OF BEARING SURFACE.
  3. MONUMENT CASE AND COVER SHALL BE EAST JORDAN IRON WORKS # 313 OR APPROVED EQUAL.



- NOTES:
1. Concrete shall be Class 3000 air entrained.
  2. Expansion joints 10' O.C. measured along outside edge and aligned radial to curb.
  3. Curb shall drain toward the pavement.
  4. Concrete stamp pattern to be approved by City.

**TABLE CURB DETAIL**  
N.T.S.

ACCEPTED FOR CONSTRUCTION  
CITY OF MILL CREEK

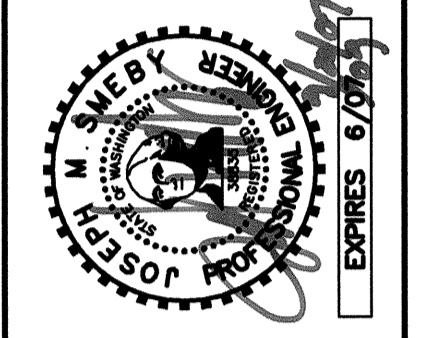
DIRECTOR OF PUBLIC WORKS \_\_\_\_\_ DATE \_\_\_\_\_

ACCEPTED AS IN COMPLIANCE  
WITH CONDITIONS OF APPROVAL  
FOR PP 05-62

DIRECTOR OF COMMUNITY DEVELOPMENT \_\_\_\_\_ DATE \_\_\_\_\_

**NOT AS-BUILT**

BY	DESCRIPTION	DATE
JMS	FINAL AS-BUILTS	6/19/07
JMS	AS-BUILTS	10/06
JMS	REV. PER CITY COMMENTS	10/05
JMS	REV. PER CITY COMMENTS	9/05
JMS	CONSTRUCTION SUBMITTAL	7/05



**ROAD DETAILS**

2210 HEWITT AVENUE  
SUITE NUMBER 204  
EVERETT, WA 98201  
1 425.387.3820  
1 425.259.1958



**DOUGLAS ADDITION**

Mill Creek, Washington  
PORTION OF SECTION 5, TOWNSHIP  
27 NORTH, RANGE 5 EAST, W.M.  
McNaughton Group

PROJ. NO: 05-027

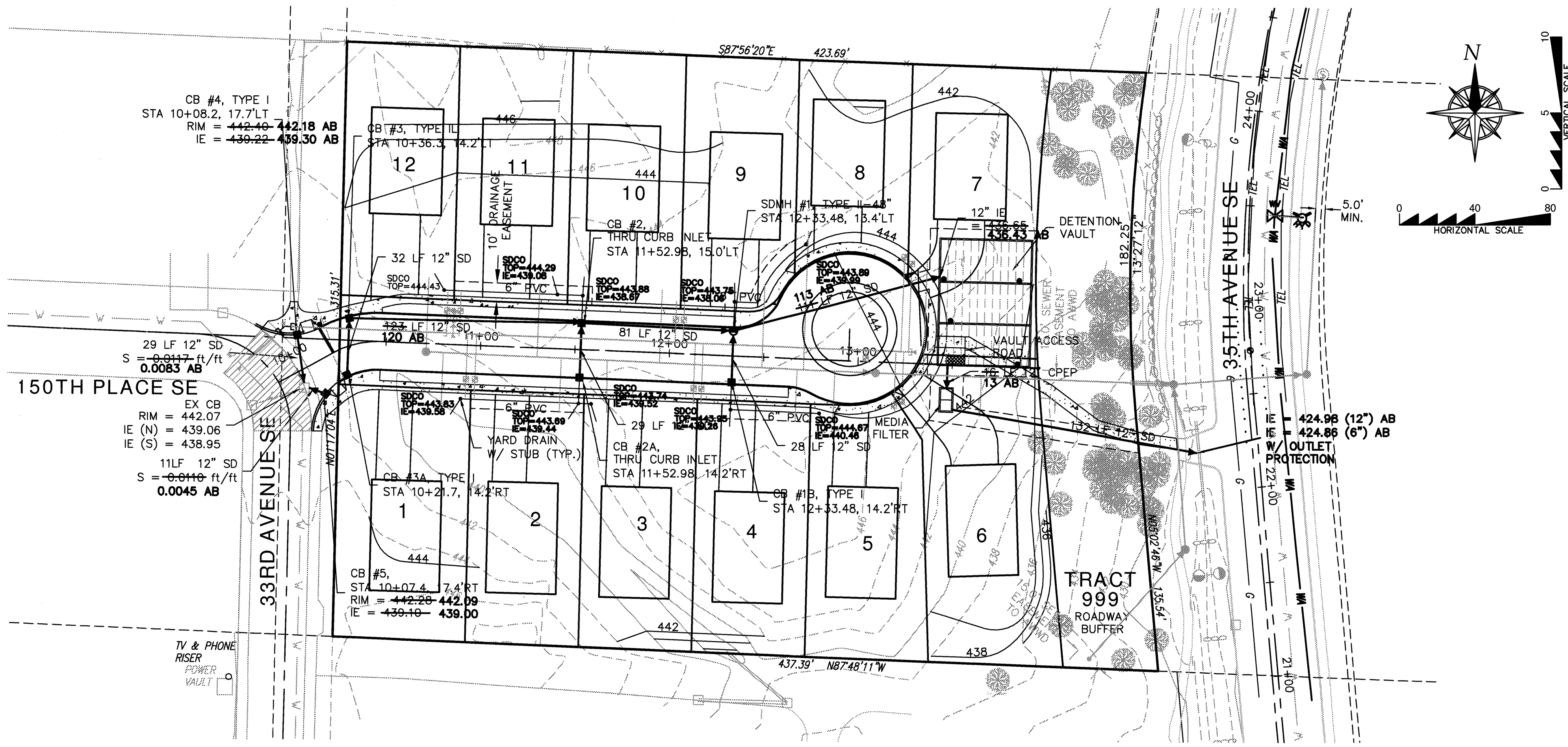
DATE: 6/29/05

SCALE: 1" = 40'

DRAWING NO: 5 9

# DOUGLAS ADDITION

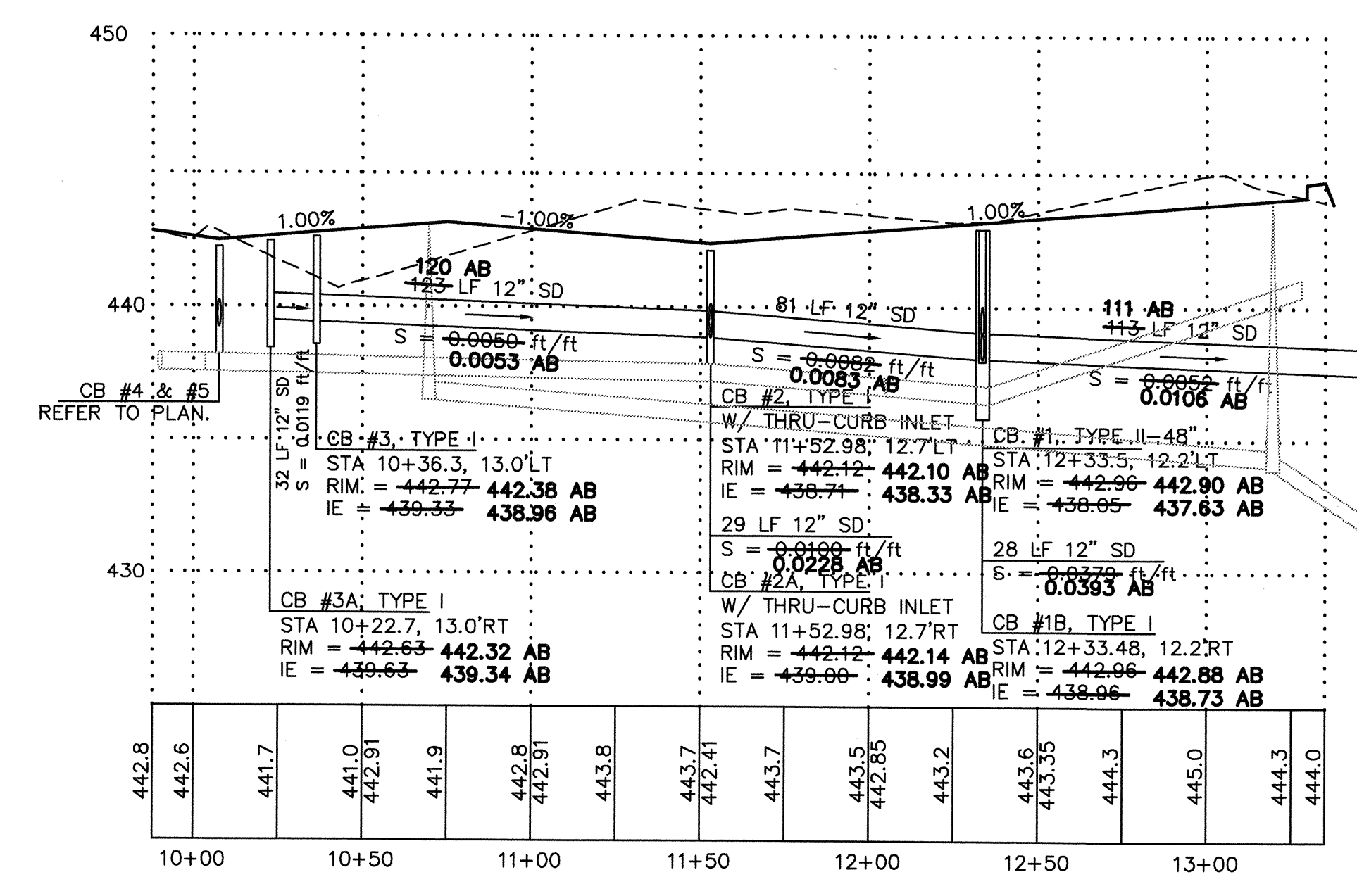
## NE 1/4, SECTION 5, TOWNSHIP 27N., RANGE 5E., W.M.



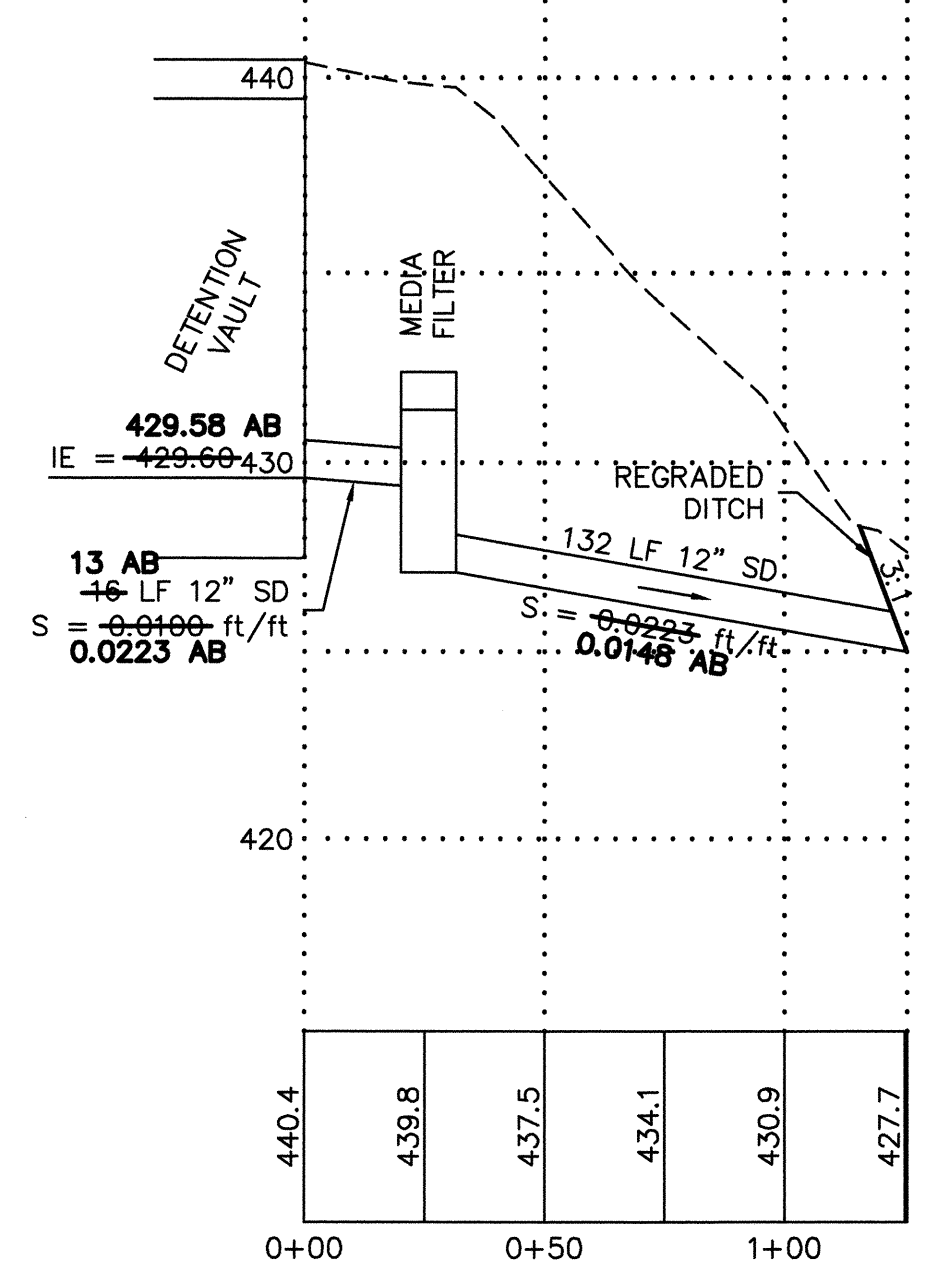
### STORM DRAINAGE NOTES

- ALL PIPE SHALL BE PLACED ON STABLE EARTH, OR IF IN THE OPINION OF THE CITY INSPECTOR, THE EXISTING FOUNDATION IS UNSATISFACTORY, THEN IT SHALL BE EXCAVATED BELOW GRADE AND BACK-FILLED PER STANDARD PLAN STM 01
- ALL CATCH BASINS TO BE TYPE 1 UNLESS OTHERWISE NOTED
- ALL CATCH BASINS WITH A DEPTH OVER 5.0 FEET TO THE FLOW LINE SHALL BE TYPE 2
- ALL TYPE 2 CATCH BASINS AND ALL INLETS AND CATCH BASINS OUTSIDE THE PUBLIC RIGHT-OF-WAY SHALL HAVE SOLID, LOCKING LIDS UNLESS APPROVED BY THE CITY. CATCH BASINS OUTSIDE THE RIGHT-OF-WAY COLLECTING SURFACE WATER SHALL HAVE LOCKING GRATES
- STANDARD LADDER STEPS SHALL BE PROVIDED IN ALL CATCH BASINS/MANHOLES EXCEEDING 5.0 FEET IN DEPTH
- CATCH BASIN FRAME AND GRATES SHALL BE DUCTILE IRON (H20 RATING) VANED GRATE (OLYMPIC FOUNDRY ITEM NUMBER SM50VG OR APPROVED EQUAL). THROUGH CURB INLETS SHALL BE 18" x 24" DUCTILE IRON - DIAGONAL SLOT GRATE WITH 9" HIGH DIAMOND PLATE HOOD, AND H20 RATING (OLYMPIC FOUNDRY ITEM NUMBER SM50VG OR APPROVED EQUAL).
- THE CONTRACTOR SHALL BE RESPONSIBLE FOR ADJUSTING ALL MANHOLE, INLET, AND CATCH BASIN FRAMES AND GRATES JUST PRIOR TO PAVING. DURING OVERLAY PROJECTS, ALL MANHOLES, VALVES AND MONUMENTS SHALL BE ADJUSTED AFTER PAVING.
- PRIOR TO SIDEWALK CONSTRUCTION, CONSTRUCT THE LOT DRAINAGE AND/OR STUB OUTS BEHIND SIDEWALK DRAINS AS REQUIRED. POSITIVE DRAINAGE IS TO BE PROVIDED WHERE FEASIBLE WITH CONNECTION TO STORM DRAIN. STUB-OUTS SHALL BE MARKED WITH A 2" x 4" AND LABELED STORM.
- STORM WATER RETENTION/DETENTION FACILITIES, CONTROL STRUCTURES, STORM DRAINAGE PIPES AND CATCH BASINS SHALL BE JETTED AND CLEANED PRIOR TO ACCEPTANCE.
- PIPE SPECIFICATIONS: ALL STORM PIPES SHALL BE 12" MIN. DIAMETER PIPE MATERIAL, JOINTS AND PROTECTIVE TREATMENT SHALL BE IN ACCORDANCE WITH WSDOT STANDARD SPECIFICATIONS, SECTION 9.05 AND ASHTO AND ASTM DESIGNATIONS AS NOTED BELOW.

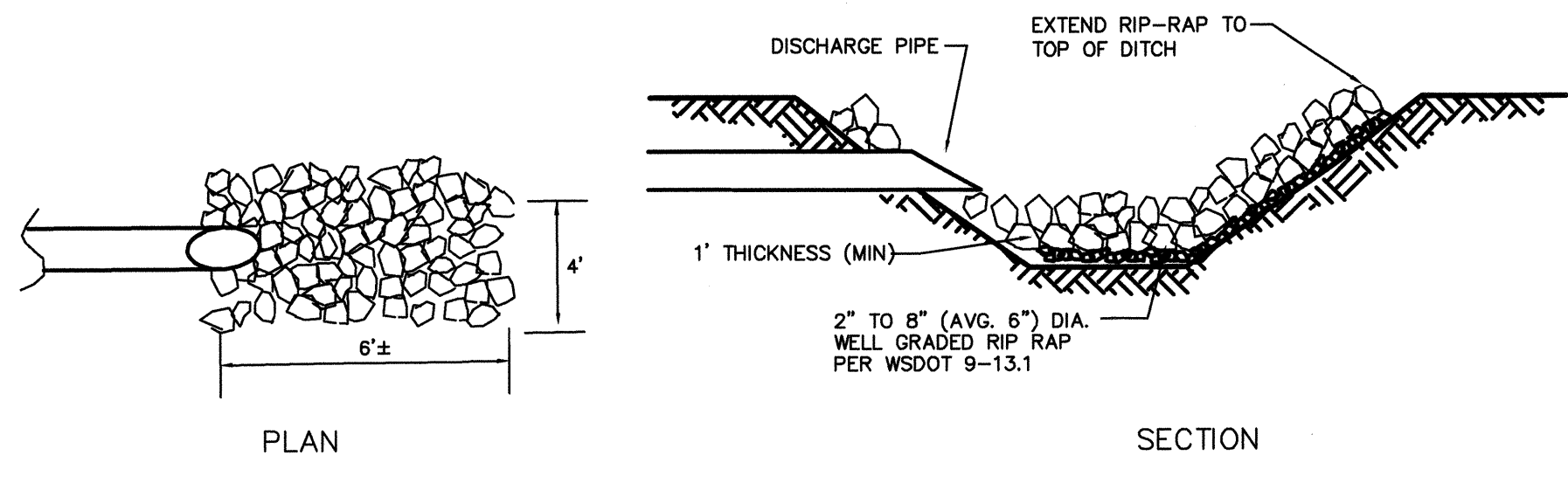
- MATERIALS ALLOWED FOR STORM DRAIN LINES:**
- PLAIN CONCRETE PIPE (CP)
  - REINFORCED CONCRETE PIPE (RCP)
  - ALUMINUM SPIRAL RIB PIPE (ASRP)
  - ASTM D3034 PVC
  - HDPE - HIGH DENSITY POLYETHYLENE PIPE (OUTSIDE OF RIGHT-OF-WAY ONLY)
- MATERIALS ALLOWED FOR 6" ROOF DRAIN LINES:**
- ASTM D3034 PVC
  - SDR35
- ALLOWABLE JOINTS:**
- CONCRETE PIPE SHALL BE RUBBER GASKETED
  - SPIRAL RIB PIPE SHALL BE "HAT BANDED" WITH NEOPRENE GASKETS
  - PVC PIPE SHALL BE RUBBER GASKETED



150TH PL. SE PROFILE  
SCALE: 1" = 40' HORIZ.  
5' VERT.



VAULT OUTFALL TO 35TH AVE DITCH  
SCALE: 1" = 40' HORIZ.  
5' VERT.



CULVERT OUTFALL ROCK PAD  
N.T.S.

ACCEPTED FOR CONSTRUCTION  
CITY OF MILL CREEK

\_\_\_\_\_  
DIRECTOR OF PUBLIC WORKS

\_\_\_\_\_  
DATE

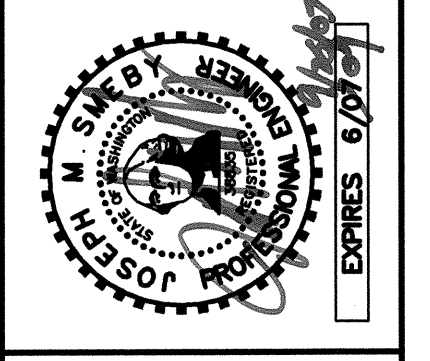
ACCEPTED AS IN COMPLIANCE  
WITH CONDITIONS OF APPROVAL  
FOR PP 05-62

\_\_\_\_\_  
DIRECTOR OF COMMUNITY DEVELOPMENT

\_\_\_\_\_  
DATE

**AS-BUILTS**

BY	DESCRIPTION	DATE
JMS	FINAL AS-BUILTS	6/19/05
JMS	AS-BUILTS	10/06
JMS	REV. PER CITY COMMENTS	10/05
JMS	REV. PER CITY COMMENTS	9/05
JMS	CONSTRUCTION SUBMITTAL	7/05



**STORM PLAN  
& PROFILE**

2210 HEWITT AVENUE  
SUITE NUMBER 204  
EVERETT, WA 98201  
1 425.387.3820  
1 425.259.1958



**DOUGLAS ADDITION**

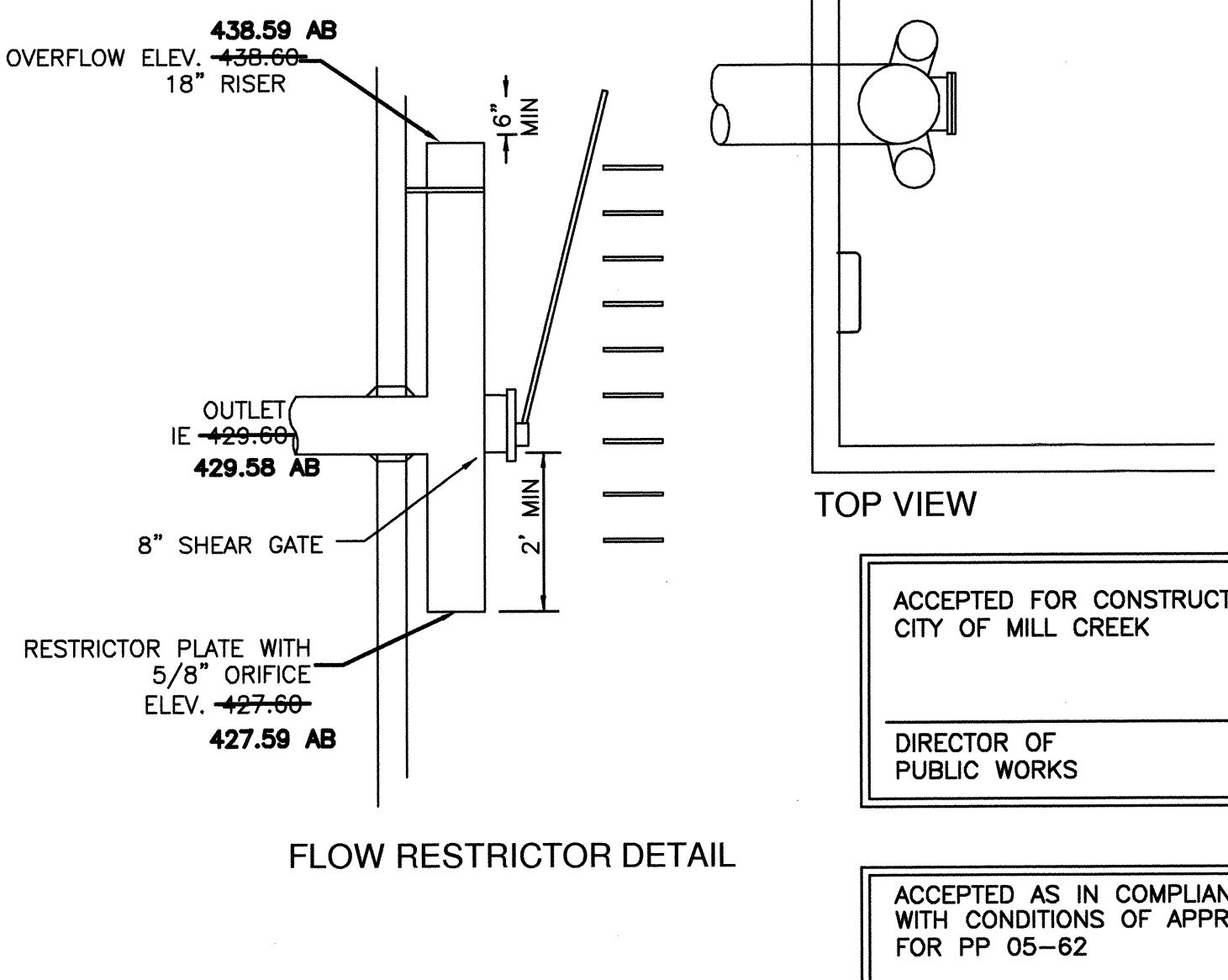
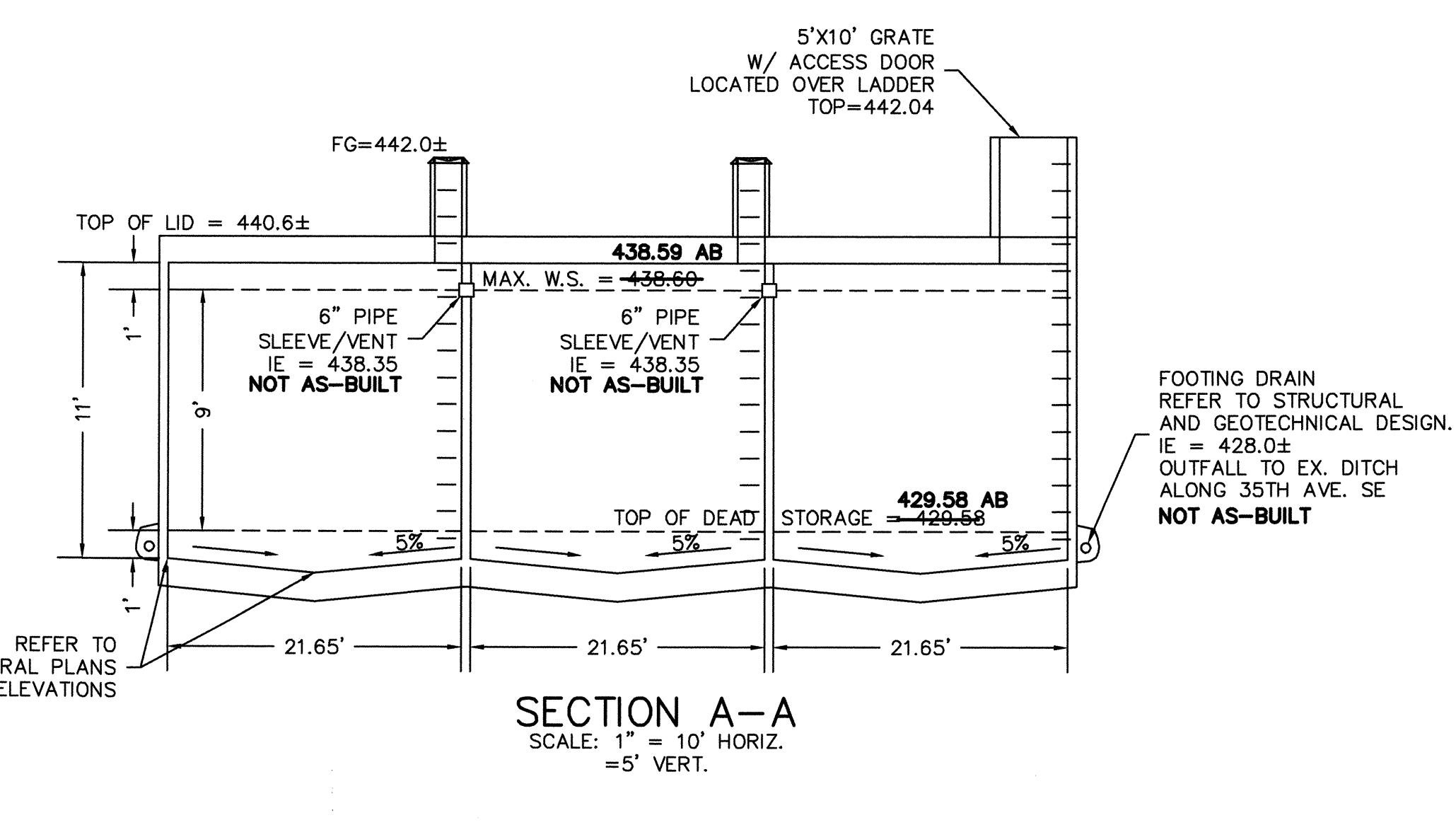
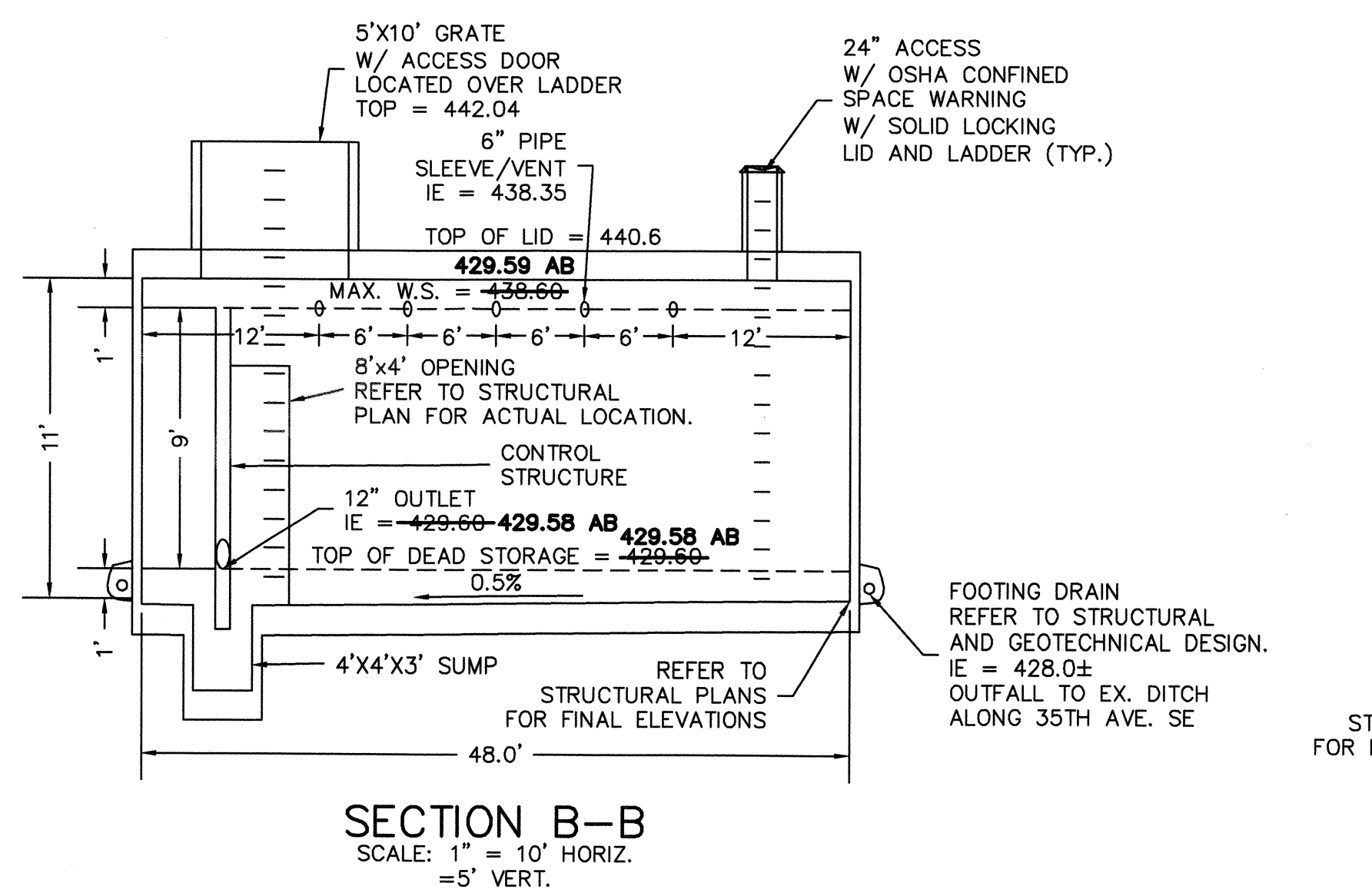
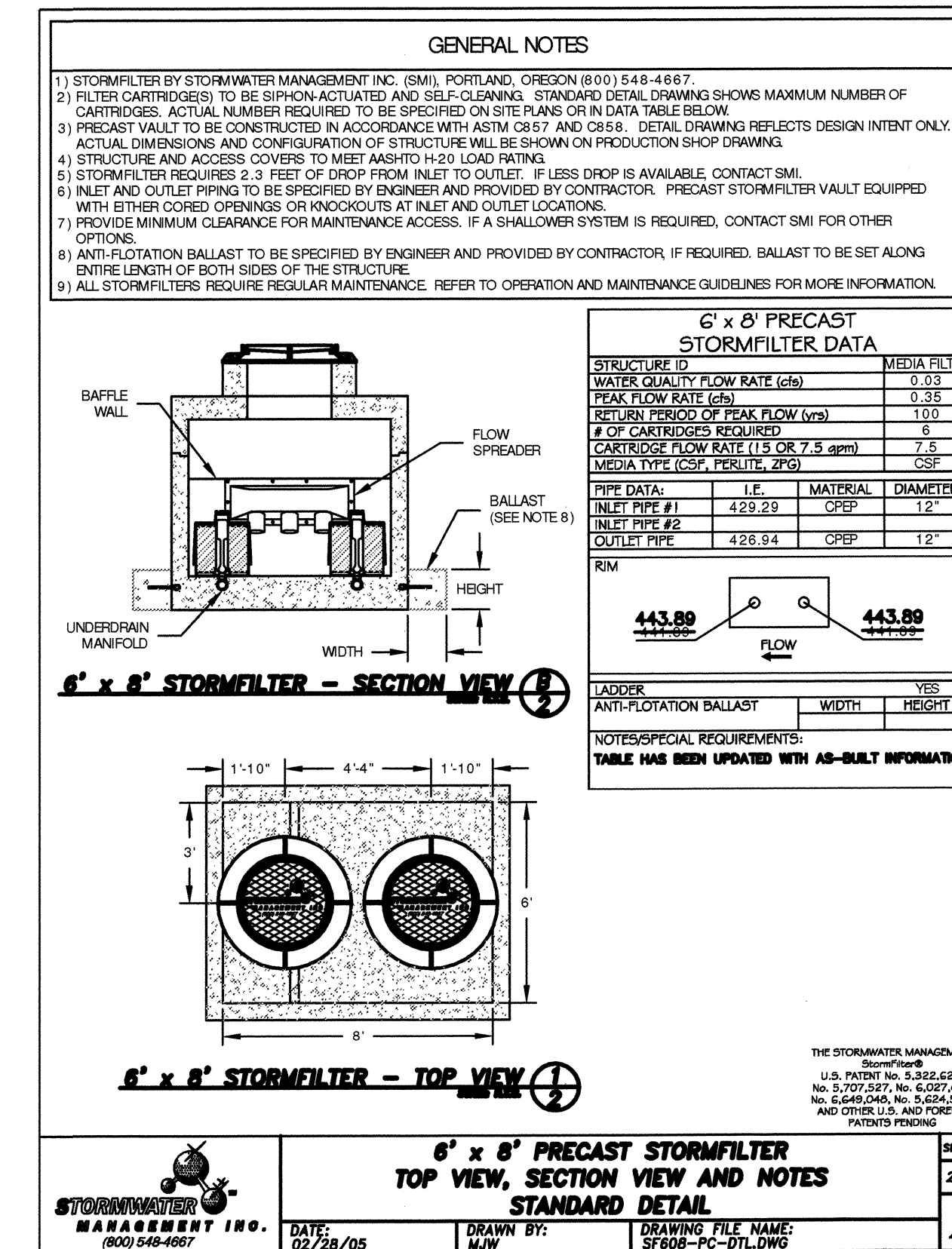
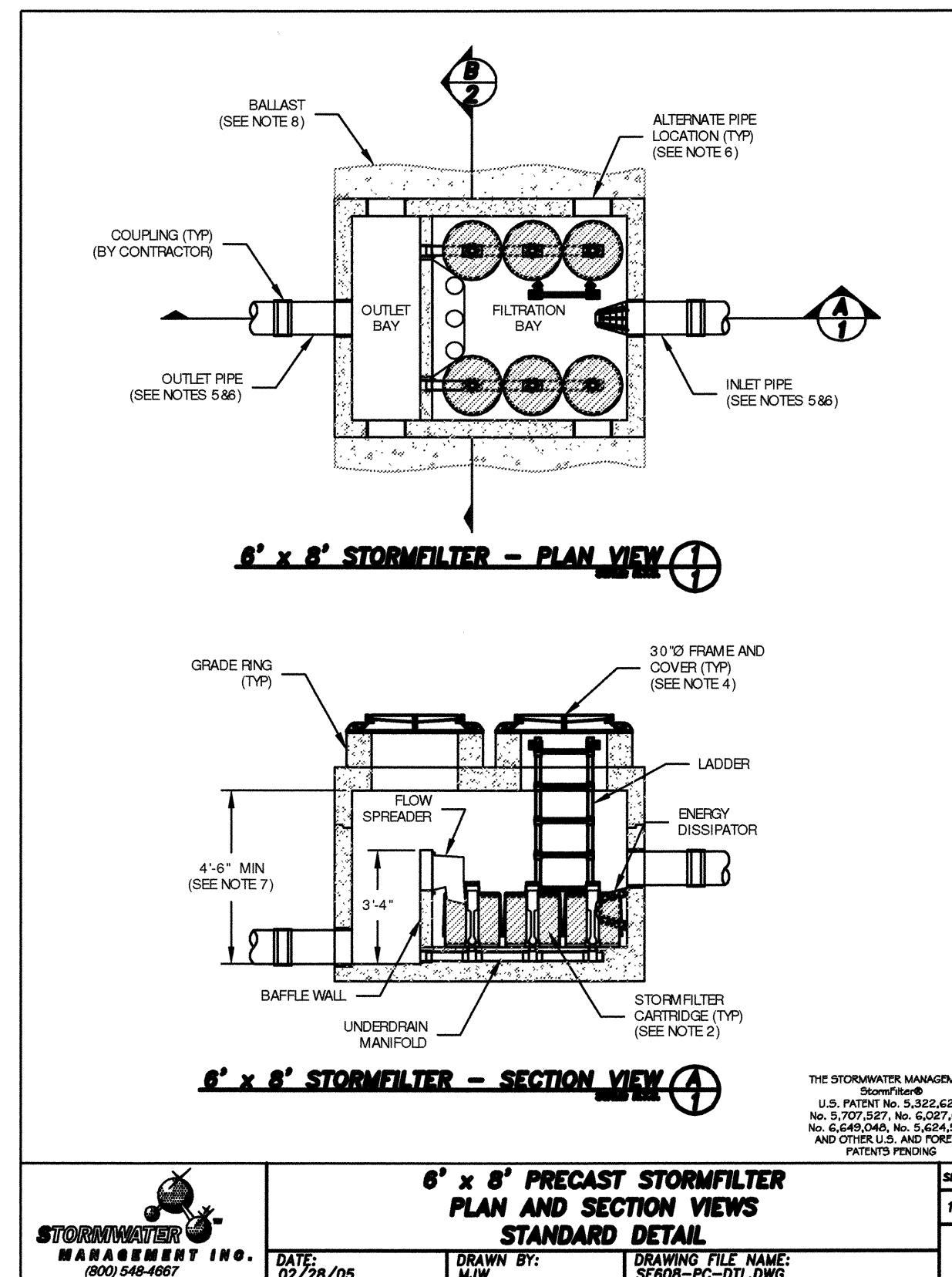
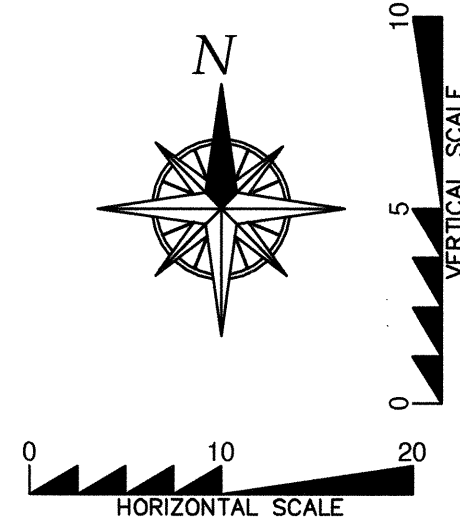
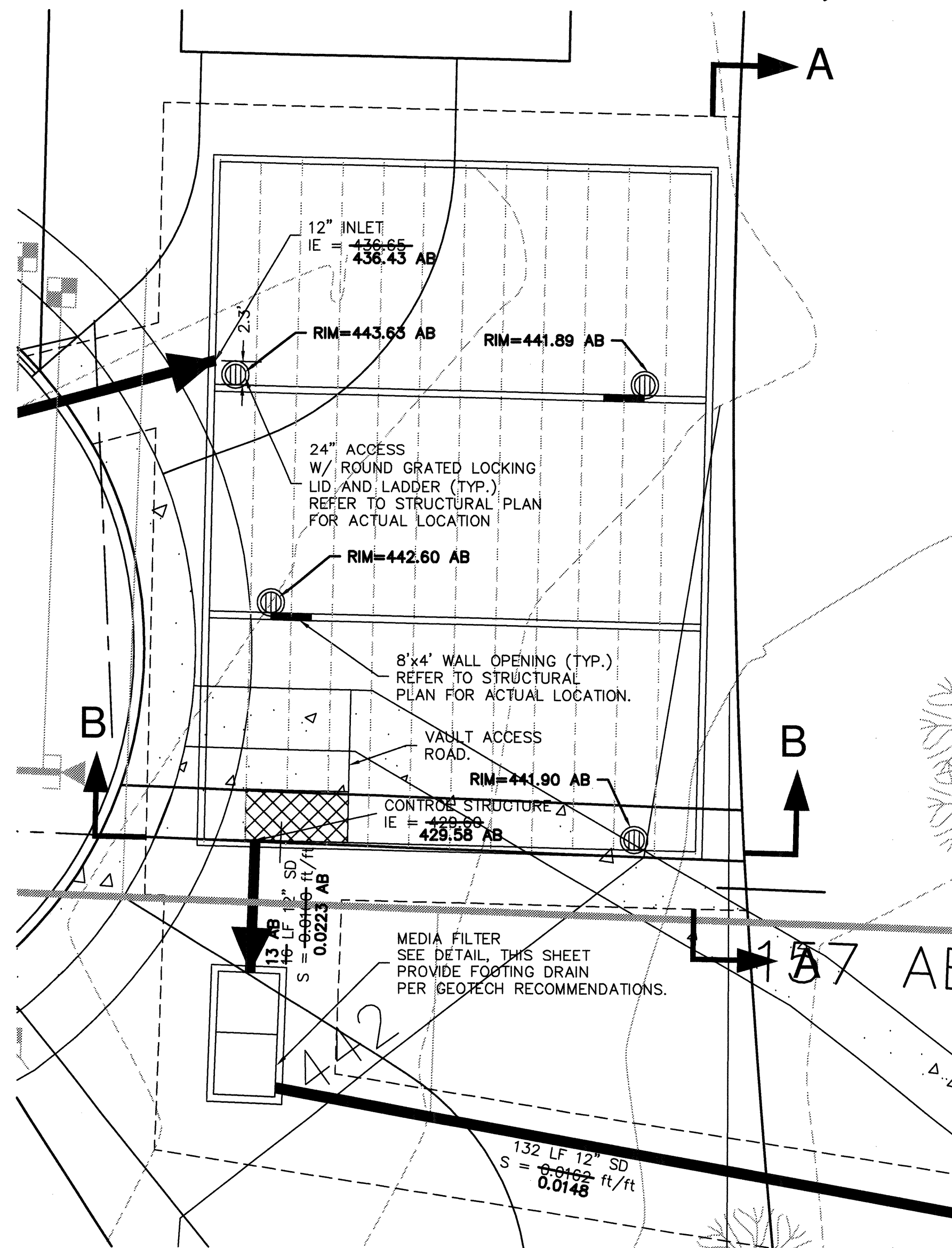
Mill Creek, Washington  
PORTION OF SECTION 5, TOWNSHIP  
27 NORTH, RANGE 5 EAST, W.M.  
McNaughton Group

PROJ. NO.	05-027	DES. BY:	JMS
DATE:	6/29/05		
SCALE:	1" = 40'		
DRAWING NO.	6	9	

# DOUGLAS ADDITION

## NE 1/4, SECTION 5, TOWNSHIP 27N., RANGE 5E., W.M.

AS-BUILT NOTE:  
THE INFORMATION SHOWN ON THE PLANS IS BASED ON SURVEY INFORMATION PROVIDED BY CURTIS AND ASSOCIATES AND THE CONTRACTOR. THE DESIGN DRAWINGS WERE UPDATED WITH THE AS-BUILT INFORMATION PROVIDED.



ACCEPTED FOR CONSTRUCTION  
CITY OF MILL CREEK

\_\_\_\_\_  
DIRECTOR OF  
PUBLIC WORKS

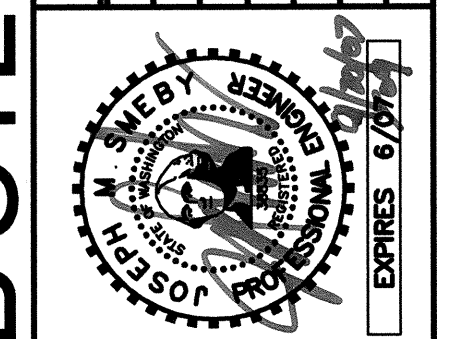
DATE \_\_\_\_\_

ACCEPTED AS IN COMPLIANCE  
WITH CONDITIONS OF APPROVAL  
FOR PP 05-62

\_\_\_\_\_  
DIRECTOR OF  
COMMUNITY DEVELOPMENT

DATE \_\_\_\_\_

BY	DATE	DESCRIPTION
JMS	6/19/07	FINAL AS-BUILTS
JMS	10/06	AS-BUILTS
JMS	10/05	REV. PER CITY COMMENTS
JMS	9/05	REV. PER CITY COMMENTS
JMS	7/05	CONSTRUCTION SUBMITTAL



### AS-BUILTS

### STORM DETAILS

2210 HEWITT AVENUE  
SUITE NUMBER 204  
EVERETT, WA 98201  
1 425.387.3820  
1 425.259.1958



**DOUGLAS ADDITION**

Mill Creek, Washington  
PORTION OF SECTION 5, TOWNSHIP  
27 NORTH, RANGE 5 EAST, W.M.  
McNaughton Group

PROJ. NO: 05-027

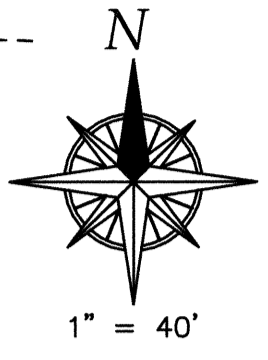
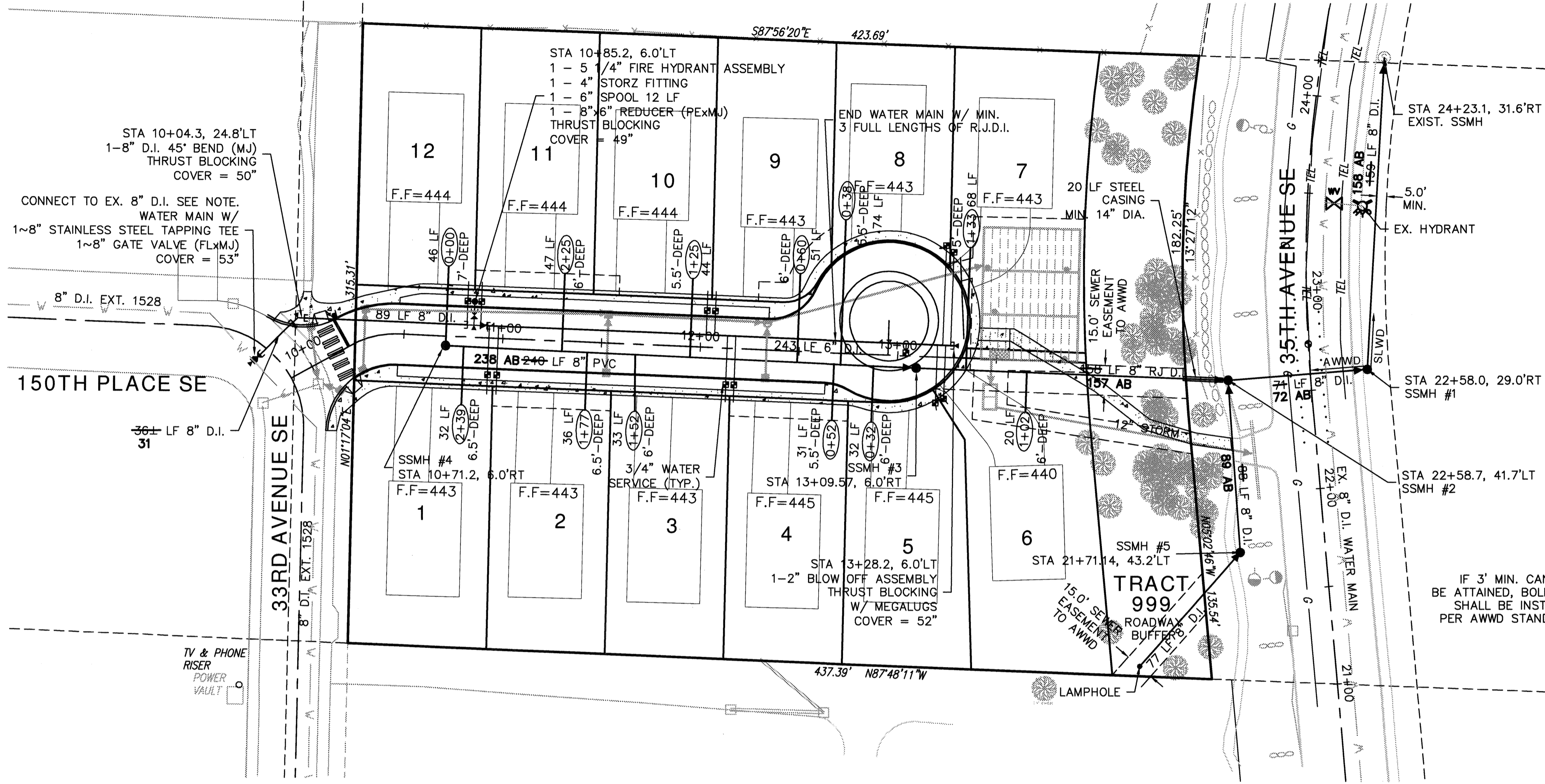
DATE: 6/29/05

SCALE: 1" = 10'

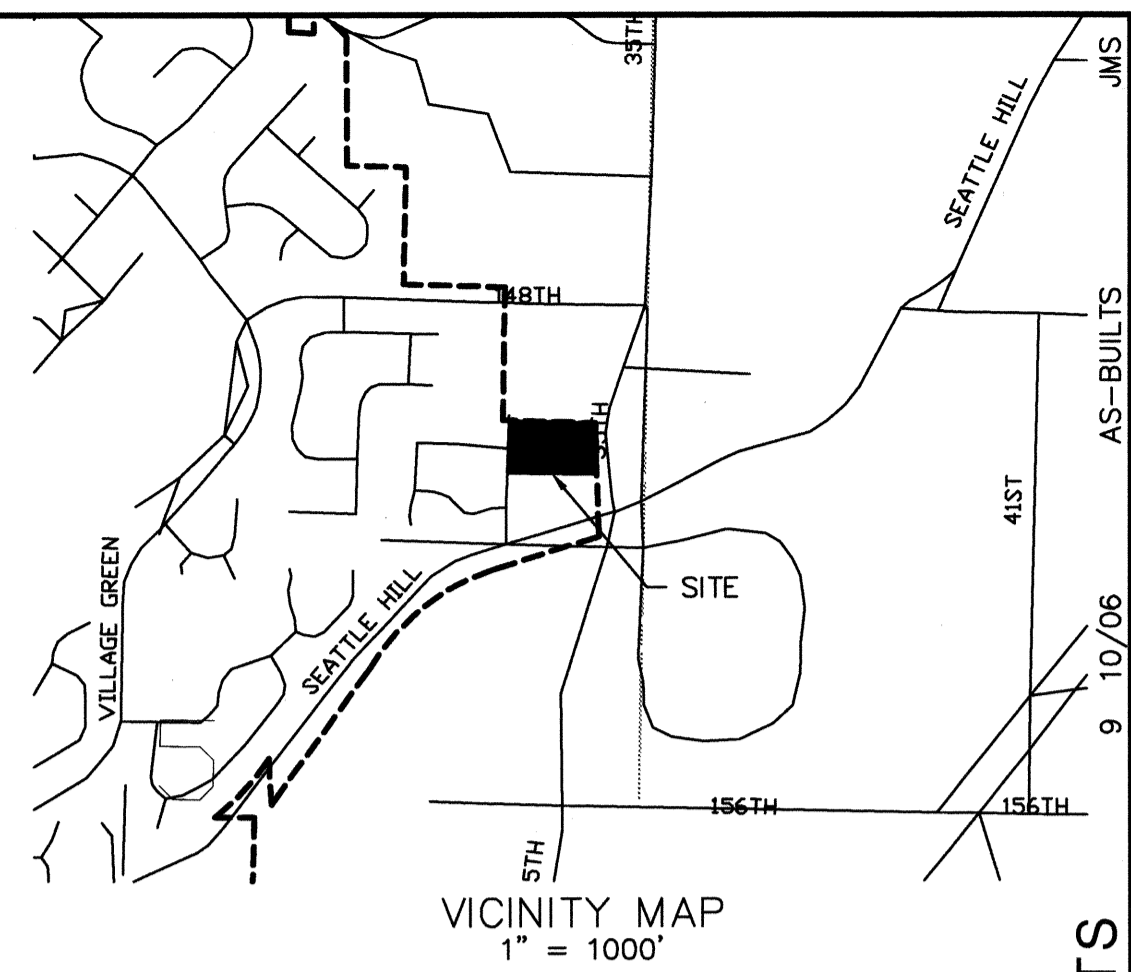
DRAWING NO: 7 OF 9

# DOUGLAS ADDITION

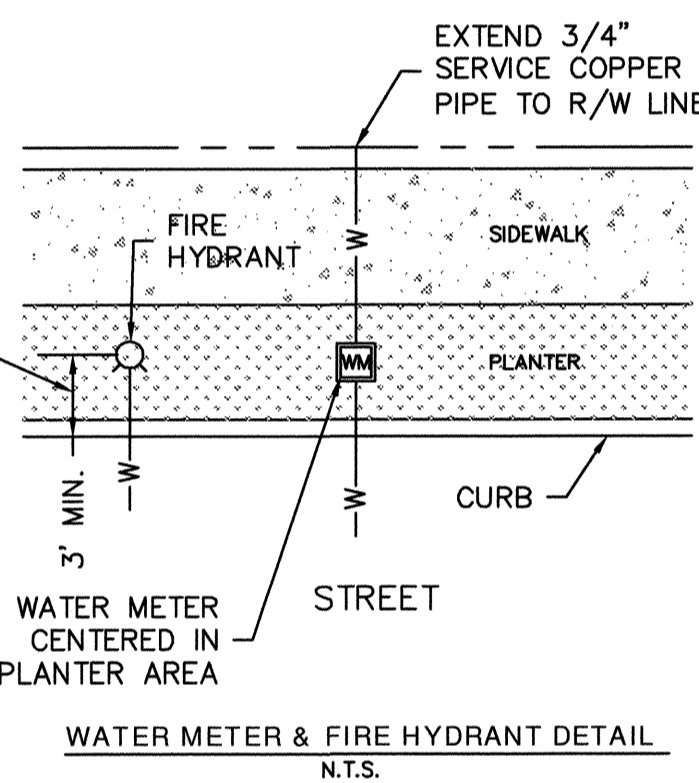
## NE 1/4, SECTION 5, TOWNSHIP 27N., RANGE 5E., W.M.



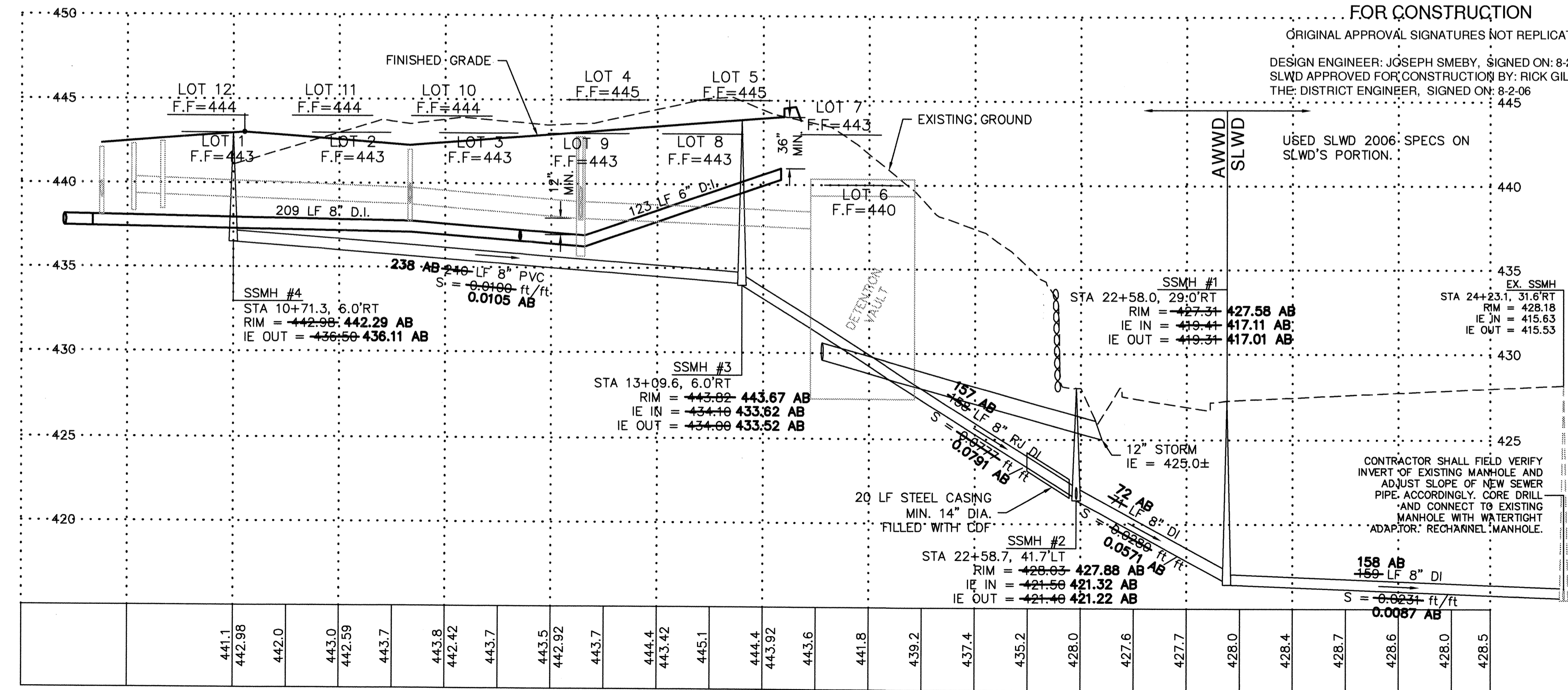
**WATER CONNECTION NOTE**  
 AWWD WILL MAKE THE WATER MAIN TAP AT THE DEVELOPER'S EXPENSE. CONTRACTOR SHALL POTHOLE EXISTING UTILITIES PRIOR TO SCHEDULING TAP. CONTRACTOR SHALL EXCAVATE, DEWATER, PROVIDE APPROPRIATE SHORING AND LADDER, PROVIDE ALL MATERIALS, BACKFILL, COMPACTION AND RESTORATION OF ALL TYPES. TEMP. BLOCK, TEST AND PURIFY PRIOR TO CONNECTION AS DIRECTED BY AWWD.



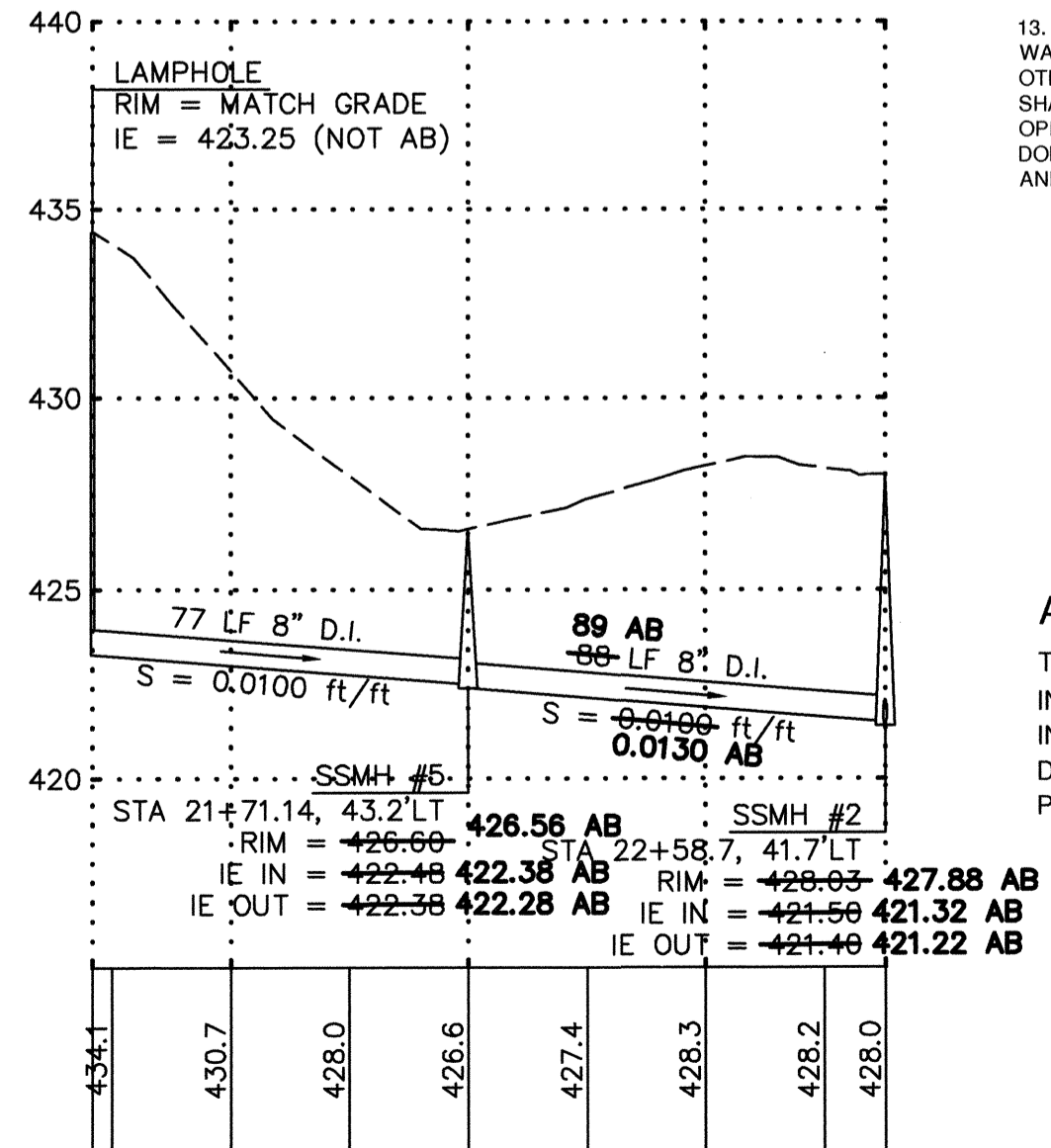
- GENERAL NOTES**
- SPECIFICATIONS, GENERAL NOTES AND DETAILS ARE CONTAINED IN ALDERWOOD WATER AND WASTEWATER DISTRICT (AWWD) DEVELOPMENT GUIDELINES AND STANDARDS FOR DEVELOPER EXTENSION, AVAILABLE AT ALDERWOOD WATER AND WASTEWATER DISTRICT OFFICE.
  - STATIC WATER PRESSURE IS APPROXIMATELY 85 PSI. THE DEVELOPER IS RESPONSIBLE FOR INSTALLING PRESSURE REDUCING VALVES ON THE PRIVATE SIDE OF THE METER TO PROTECT THE FACILITY FROM HIGH PRESSURE.
  - EASEMENTS SHALL BE PROVIDED TO AWWD TO ENCOMPASS WATER MAINS, SEWER MAINS, HYDRANTS, BLOWOFFS AND METERS LYING OUTSIDE OF PUBLIC RIGHT-OF-WAY. EASEMENTS (EXISTING AND PROPOSED) SHALL BE FREE FROM ANY ENCROACHMENTS SUCH AS STRUCTURES, OVERHANGS, AND FOUNDATIONS, ETC. ALL EASEMENTS SHALL BE BASED ON "AS-BUILTS" HORIZONTAL LOCATIONS.
  - DEVELOPER/CONTRACTOR SHALL OBTAIN A CITY OF MILL CREEK UTILITY RIGHT-OF-WAY PERMIT AND PROVIDE A COPY TO AWWD PRIOR TO SCHEDULING A PRE-CONSTRUCTION MEETING.
  - DEVELOPER, CONTRACTOR TO VERIFY THE LOCATION OF ALL UTILITIES (HORIZONTALLY OR VERTICALLY) WHETHER SHOWN ON THE PLANS OR NOT PRIOR TO CONSTRUCTION. CALL DIAL DIG AT 1-800-424-5555 TWO (2) BUSINESS DAYS BEFORE DIGGING.
  - CONSTRUCT WATER MAIN LOWER THAN STORM WHERE NECESSARY TO PROVIDE MINIMUM COVER AND/OR SOIL TO BLOCK AGAINST.
  - WHERE 1.5 FEET VERTICAL AND 10 FEET HORIZONTAL SEPARATION IS NOT OBTAINED BETWEEN THE SEWER AND WATER MAINS, THE SEWER SHALL BE CONSTRUCTED ACCORDING TO DEPARTMENT OF ECOLOGY CRITERIA FOR SEWER WORKS DESIGN SECTION G-9.
  - ALL WATER METER SIZES AND LOCATION, TOGETHER WITH SIDE SEWER LOCATIONS SHALL BE VERIFIED BY THE DEVELOPER/CONTRACTOR PRIOR TO CONSTRUCTION. WATER METERS SHALL NOT BE LOCATED IN DRIVEWAYS, SIDEWALKS OR PAVED AREAS UNLESS APPROVED BY AWWD.
  - ALL WATER METER BOXES SHALL BE TRAFFIC RATED.
  - COMBINATION AIR AND VACUUM RELEASE VALVES SHALL BE REQUIRED TO BE INSTALLED AT LOCATIONS AS DETERMINED BY AWWD BASED ON SYSTEM DESIGN AND TOPOGRAPHY. THESE VALVES ARE REQUIRED AT ELEVATION PEAKS OR AT A SHARP CHANGE IN GRADE THAT MAY RESULT IN AIR BEING TRAPPED IN THE SYSTEM AND TO ELIMINATE POTENTIAL VACUUM. THESE VALVES SHALL BE FURNISHED AND INSTALLED IN ACCORDANCE WITH AWWD STANDARD DETAIL WD-19 OR AS DIRECTED.
  - SEWER DISCHARGE STATUS, INCLUDING PERMITTING AND PRETREATMENT REQUIREMENTS, SHALL BE DETERMINED BY AWWD PRETREATMENT INSPECTOR, IN CONJUNCTION WITH ALL INTERESTED AGENCIES, UPON REVIEW OF APPLICATION FOR WASTEWATER DISCHARGE AUTHORIZATION. THIS DETERMINATION MUST BE COMPLETE BEFORE CONNECTION TO THE SANITARY SEWER SYSTEM.
  - APPROPRIATE BACKFLOW PROTECTION (COMMENSURATE WITH THE ASSESSED DEGREE OF HAZARD) AND INSTALLATION LOCATION OF REQUIRED BACKFLOW PROTECTION WILL BE DETERMINED BY AN AWWD CROSS-CONNECTION CONTROL SPECIALIST UPON REVIEW OF THE WATER APPLICATION SURVEY AND/OR REVIEW OF PROPOSED TENANT OCCUPANCY, HEIGHT OF BUILDING AND HEALTH HAZARD ASSESSMENT.
  - ALL SIDE SEWERS SHALL BE CONSTRUCTED TO THE EDGE OF THE RIGHT OF WAY OR EASEMENT UNDER THE DEVELOPER EXTENSION AGREEMENT UNLESS OTHERWISE APPROVED BY AWWD. THE FINAL CONNECTION OF THE BUILDING SHALL NOT BE MADE UNTIL THE PROJECT HAS BEEN ACCEPTED FOR USE AND OPERATION BY AWWD. THE SIDE SEWER PERMIT SHALL BE PURCHASED WITH THE DOMESTIC WATER METER AFTER AWWD HAS ACCEPTED THE PROJECT FOR USE AND OPERATION.



**SILVER LAKE WATER DISTRICT APPROVAL FOR CONSTRUCTION**  
 ORIGINAL APPROVAL SIGNATURES NOT REPLICATED.  
 DESIGN ENGINEER: JOSEPH SMEBY, SIGNED ON: 8-2-06  
 SLWD APPROVED FOR CONSTRUCTION BY: RICK GILMORE  
 THE DISTRICT ENGINEER, SIGNED ON: 8-2-06



**SEWER PIPE CENTERLINE PROFILE**  
 SCALE: 1" = 40' HORIZ.  
 = 5' VERT.



**SEWER PIPE CENTERLINE PROFILE**  
 SCALE: 1" = 40' HORIZ.  
 = 5' VERT.

ALDERWOOD WATER AND WASTEWATER DISTRICT  
 APPROVED FOR WATER AND SEWER CONSTRUCTION

EXT. NO. **2866C**

BY: \_\_\_\_\_ DATE: \_\_\_\_\_  
 DISTRICT ENGINEER OR ASSIGNEE

**CALL 2 BUSINESS DAYS BEFORE YOU DIG**  
**1-800-424-5555**

**AS-BUILT NOTE:**  
 THE INFORMATION SHOWN ON THE PLANS IS BASED ON SURVEY INFORMATION PROVIDED BY CURTIS AND ASSOCIATES AND INSPECTOR'S AS-BUILTS PROVIDED BY AWWD. THE DESIGN DRAWINGS WERE UPDATED WITH THE AS-BUILT INFORMATION PROVIDED.

AS-BUILTS	DATE	DESCRIPTION	BY
9/10/06	6/06	REV. PER AWWD COMMENTS	JMS
	5/06	REV. PER AWWD COMMENTS	JMS
	4/06	REV. PER AWWD COMMENTS	JMS
	12/05	REV. PER AWWD COMMENTS	JMS
	9/05	REV. PER CITY COMMENTS	JMS
	8/05	REVISED PER CITY COMMENTS	JMS
	7/05	CONSTRUCTION SUBMITTAL	JMS

**WATER & SEWER PLAN & PROFILE**

2210 HEWITT AVENUE  
 SUITE NUMBER 204  
 EVERETT, WA 98201  
 1 425.387.3820  
 1 425.259.1958

**OMEGA ENGINEERING, INC.**

**DOUGLAS ADDITION**

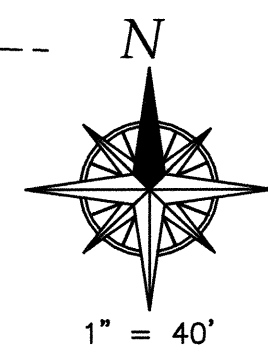
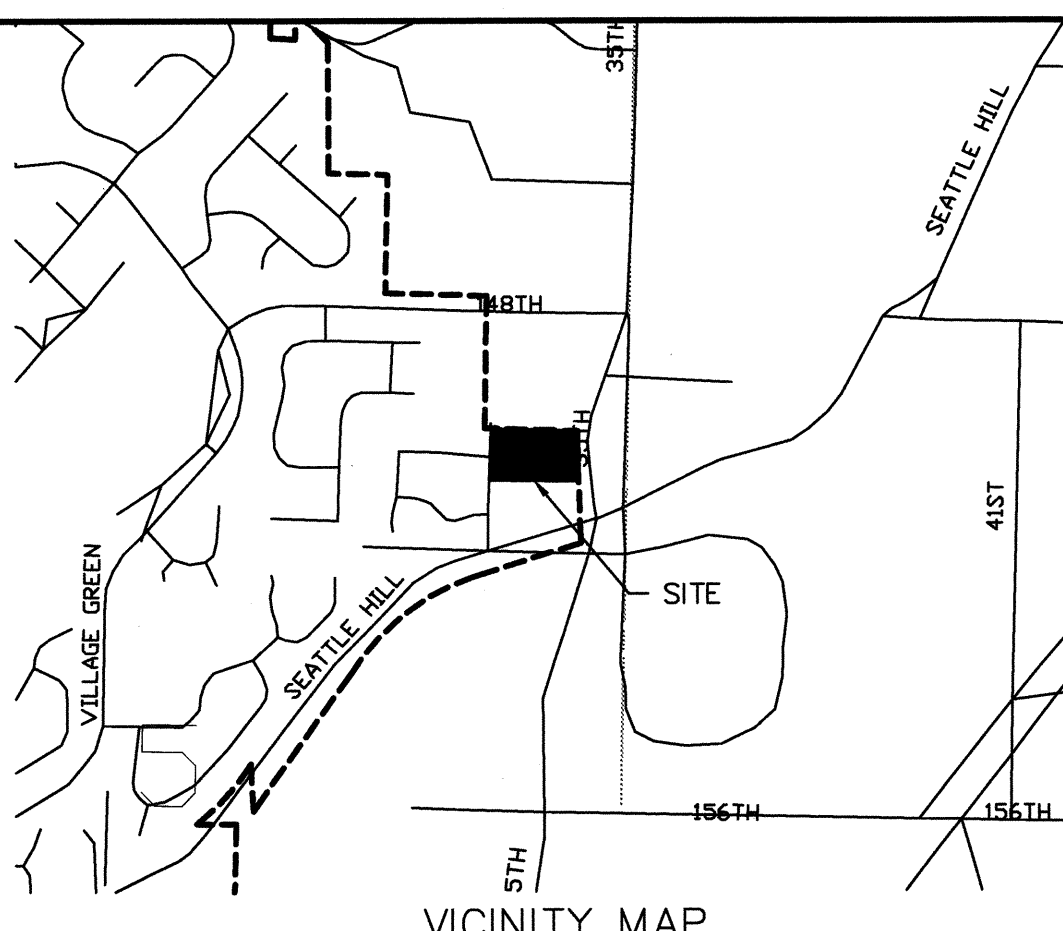
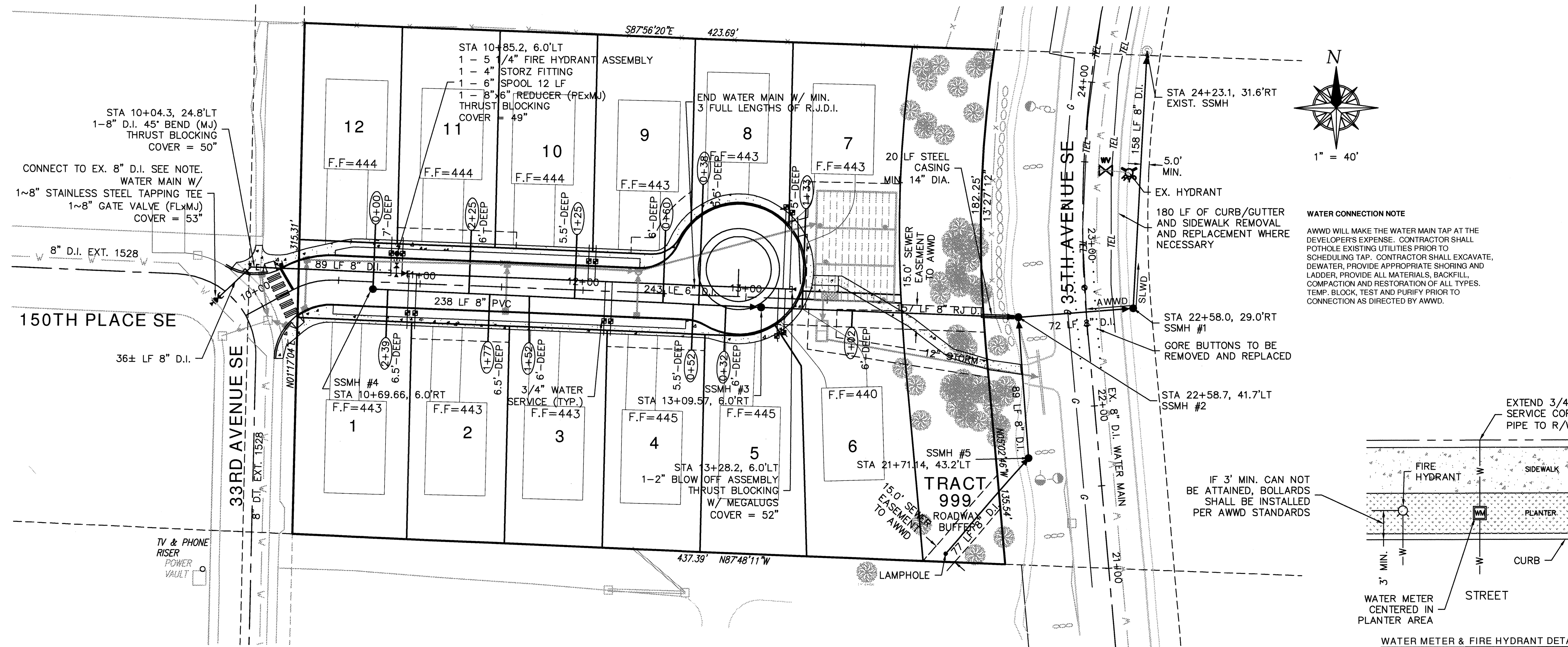
Mill Creek, Washington  
 PORTION OF SECTION 5, TOWNSHIP  
 27 NORTH, RANGE 5 EAST, W.M.  
 McNaughton Group

PROJ. NO.	05-027	DES. BY:	JMS
DATE:	6/29/05	SCALE:	NOTED
DRAWING NO.	1	OF	1



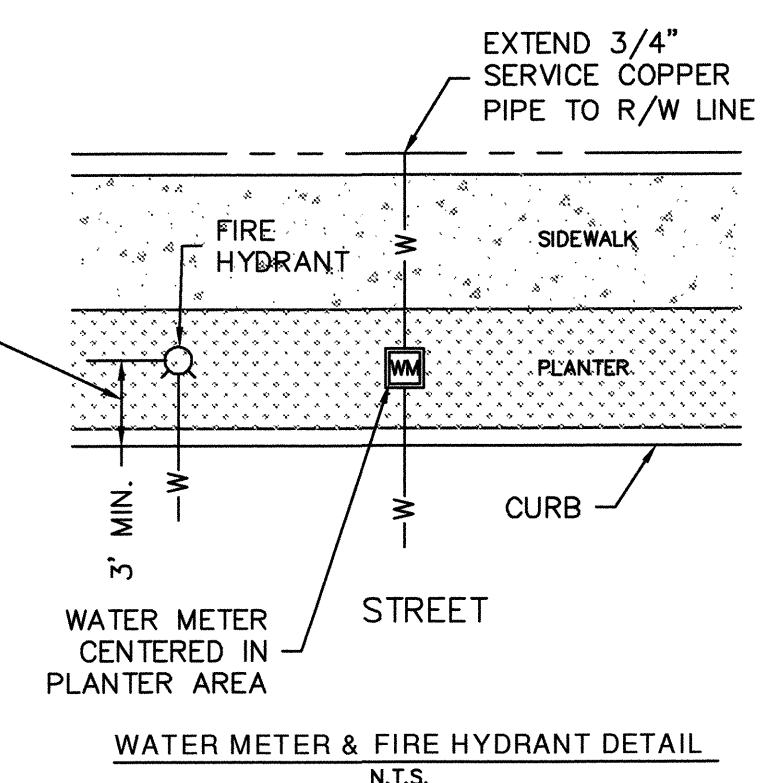
# DOUGLAS ADDITION

## NE 1/4, SECTION 5, TOWNSHIP 27N., RANGE 5E., W.M.

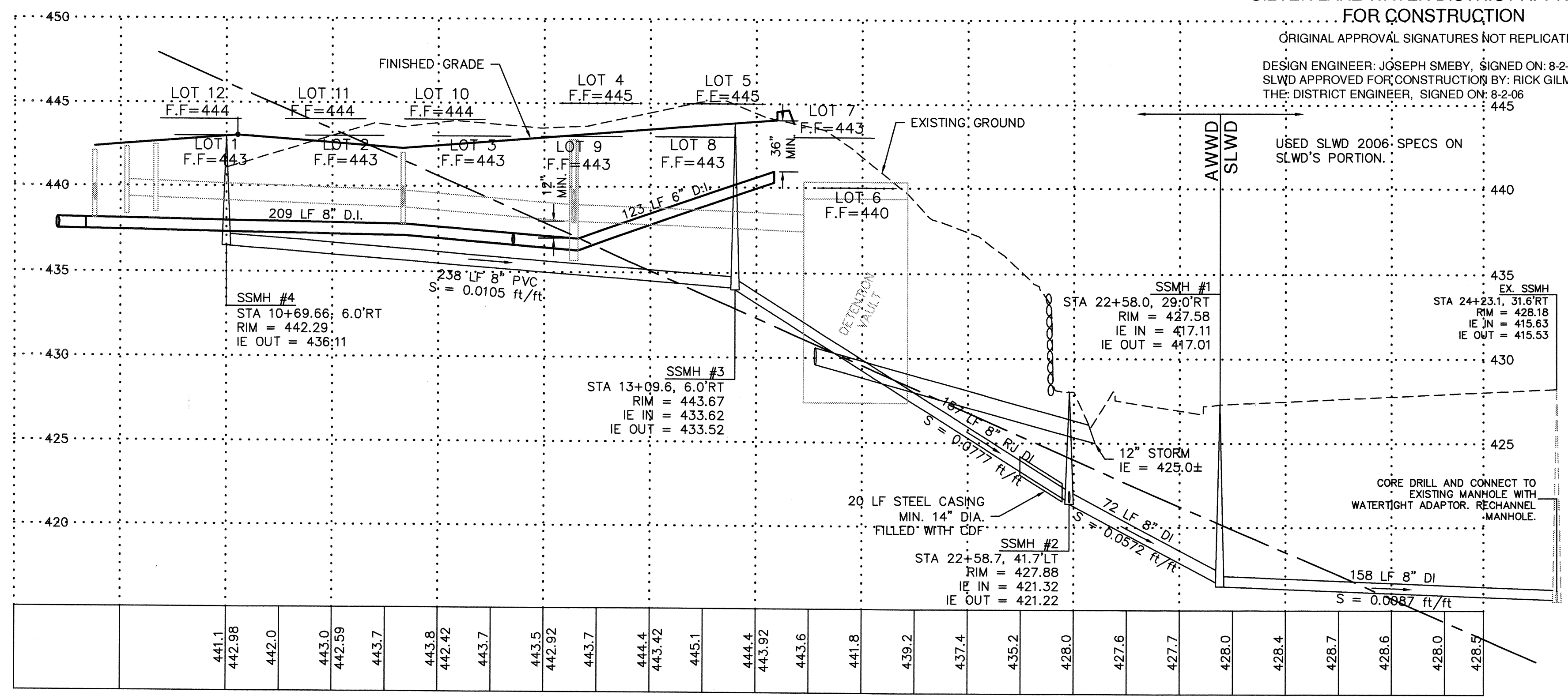


**WATER CONNECTION NOTE**  
 AWWD WILL MAKE THE WATER MAIN TAP AT THE DEVELOPER'S EXPENSE. CONTRACTOR SHALL POTHOLE EXISTING UTILITIES PRIOR TO SCHEDULING TAP. CONTRACTOR SHALL EXCAVATE, DEWATER, PROVIDE APPROPRIATE SHORING AND LADDER, PROVIDE ALL MATERIALS, BACKFILL, COMPACTION AND RESTORATION OF ALL TYPES. TEMP. BLOCK, TEST AND PURIFY PRIOR TO CONNECTION AS DIRECTED BY AWWD.

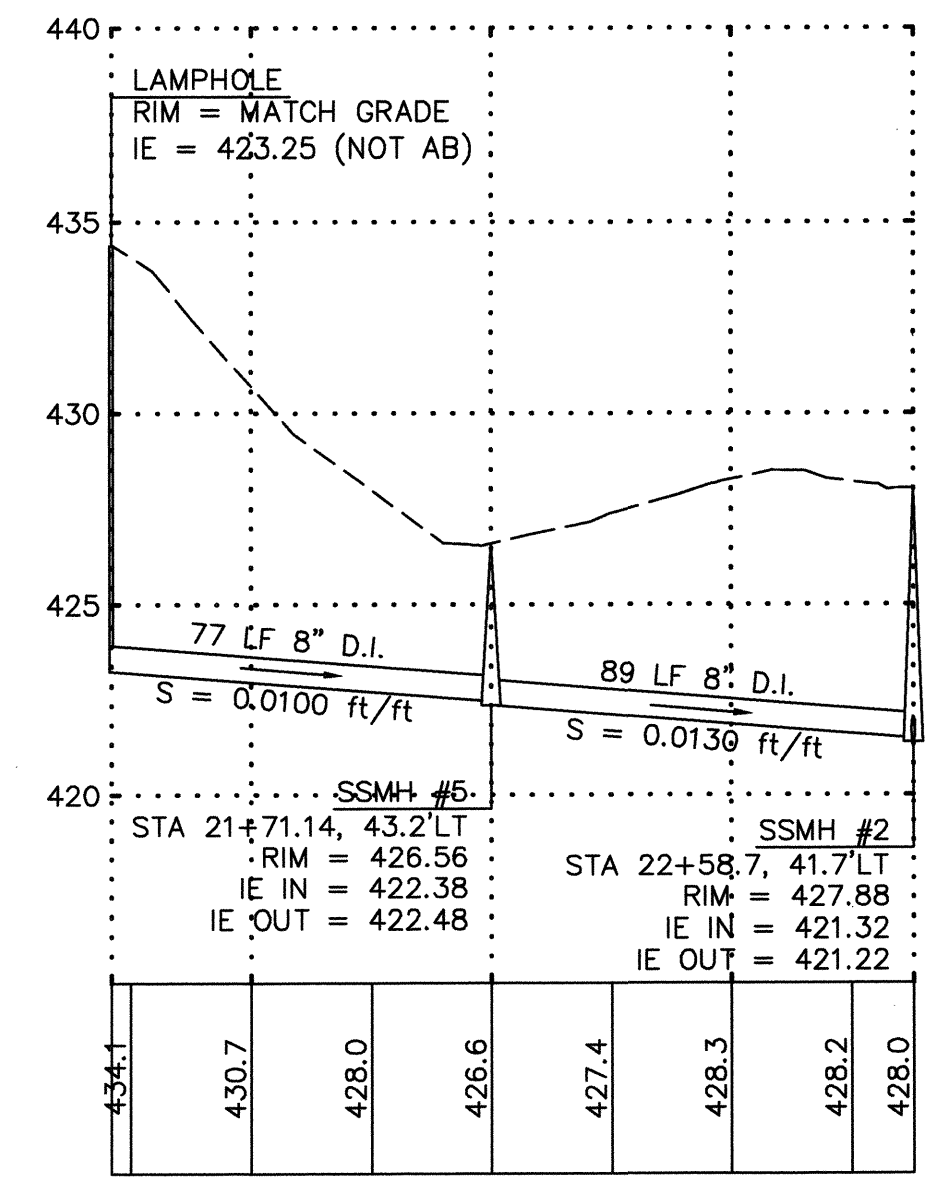
- GENERAL NOTES**
- SPECIFICATIONS, GENERAL NOTES AND DETAILS ARE CONTAINED IN ALDERWOOD WATER AND WASTEWATER DISTRICT (AWWD) DEVELOPMENT GUIDELINES AND STANDARDS FOR DEVELOPER EXTENSION, AVAILABLE AT ALDERWOOD WATER AND WASTEWATER DISTRICT OFFICE.
  - STATIC WATER PRESSURE IS APPROXIMATELY 85 PSI. THE DEVELOPER IS RESPONSIBLE FOR INSTALLING PRESSURE REDUCING VALVES ON THE PRIVATE SIDE OF THE METER TO PROTECT THE FACILITY FROM HIGH PRESSURE.
  - EASEMENTS EASEMENTS SHALL BE PROVIDED TO AWWD TO ENCOMPASS WATER MAINS, SEWER MAINS, HYDRANTS, BLOWOFFS AND METERS LYING OUTSIDE OF PUBLIC RIGHT-OF-WAY. EASEMENTS (EXISTING AND PROPOSED) SHALL BE FREE FROM ANY ENCROACHMENTS SUCH AS STRUCTURES, OVERHANGS, AND FOUNDATIONS, ETC. ALL EASEMENTS SHALL BE BASED ON "AS-BUILTS" HORIZONTAL LOCATIONS.
  - DEVELOPER/CONTRACTOR SHALL OBTAIN A CITY OF MILL CREEK UTILITY RIGHT-OF-WAY PERMIT AND PROVIDE A COPY TO AWWD PRIOR TO SCHEDULING A PRE-CONSTRUCTION MEETING.
  - DEVELOPER, CONTRACTOR TO VERIFY THE LOCATION OF ALL UTILITIES (HORIZONTAL OR VERTICALLY) WHETHER SHOWN ON THE PLANS OR NOT PRIOR TO CONSTRUCTION. CALL DIAL DIG AT 1-800-424-5555 TWO (2) BUSINESS DAYS BEFORE DIGGING.
  - CONSTRUCT WATER MAIN LOWER THAN STORM WHERE NECESSARY TO PROVIDE MINIMUM COVER AND/OR SOIL TO BLOCK AGAINST.
  - WHERE 1.5 FEET VERTICAL AND 10 FEET HORIZONTAL SEPARATION IS NOT OBTAINED BETWEEN THE SEWER AND WATER MAINS, THE SEWER SHALL BE CONSTRUCTED ACCORDING TO DEPARTMENT OF ECOLOGY "CRITERIA FOR SEWER WORKS DESIGN" SECTION C1-9.
  - ALL WATER METER SIZES AND LOCATION, TOGETHER WITH SIDE SEWER LOCATIONS SHALL BE VERIFIED BY THE DEVELOPER/CONTRACTOR PRIOR TO CONSTRUCTION. WATER METERS SHALL NOT BE LOCATED IN DRIVEWAYS, SIDEWALKS OR PAVED AREAS UNLESS APPROVED BY AWWD.
  - ALL WATER METER BOXES SHALL BE TRAFFIC RATED.
  - COMBINATION AIR AND VACUUM RELEASE VALVES SHALL BE REQUIRED TO BE INSTALLED AT LOCATIONS AS DETERMINED BY AWWD BASED ON SYSTEM DESIGN AND TOPOGRAPHY. THESE VALVES ARE REQUIRED AT ELEVATION PEAKS OR AT A SHARP CHANGE IN GRADE THAT MAY RESULT IN AIR BEING TRAPPED IN THE SYSTEM AND TO ELIMINATE POTENTIAL VACUUM. THESE VALVES SHALL BE FURNISHED AND INSTALLED IN ACCORDANCE WITH AWWD STANDARD DETAIL WD-19 OR AS DIRECTED.
  - SEWER DISCHARGE STATUS, INCLUDING PERMITTING AND PRETREATMENT REQUIREMENTS, SHALL BE DETERMINED BY AWWD PRETREATMENT INSPECTOR, IN CONJUNCTION WITH ALL INTERESTED AGENCIES, UPON REVIEW OF APPLICATION FOR WASTEWATER DISCHARGE AUTHORIZATION. THIS DETERMINATION MUST BE COMPLETE BEFORE CONNECTION TO THE SANITARY SEWER SYSTEM.
  - APPROPRIATE BACKFLOW PROTECTION (COMMENSURATE WITH THE ASSESSED DEGREE OF HAZARD) AND INSTALLATION LOCATION OF REQUIRED BACKFLOW PROTECTION WILL BE DETERMINED BY AN AWWD CROSS-CONNECTION CONTROL SPECIALIST UPON REVIEW OF THE WATER APPLICATION SURVEY AND/OR REVIEW OF PROPOSED TENANT OCCUPANCY, HEIGHT OF BUILDING AND HEALTH HAZARD ASSESSMENT.
  - ALL SIDE SEWERS SHALL BE CONSTRUCTED TO THE EDGE OF THE RIGHT OF WAY OR EASEMENT UNDER THE DEVELOPER EXTENSION AGREEMENT UNLESS OTHERWISE APPROVED BY AWWD. THE FINAL CONNECTION OF THE BUILDING SHALL NOT BE MADE UNTIL THE PROJECT HAS BEEN ACCEPTED FOR USE AND OPERATION BY AWWD. THE SIDE SEWER PERMIT SHALL BE PURCHASED WITH THE DOMESTIC WATER METER AFTER AWWD HAS ACCEPTED THE PROJECT FOR USE AND OPERATION.



**SILVER LAKE WATER DISTRICT APPROVAL FOR CONSTRUCTION**  
 ORIGINAL APPROVAL SIGNATURES NOT REPLICATED.  
 DESIGN ENGINEER: JOSEPH SMEBY, SIGNED ON: 8-2-06  
 SLWD APPROVED FOR CONSTRUCTION BY: RICK GILMORE  
 THE DISTRICT ENGINEER, SIGNED ON: 8-2-06



**SEWER PIPE CENTERLINE PROFILE**  
 SCALE: 1" = 40' HORIZ.  
 = 5' VERT.



**SEWER PIPE CENTERLINE PROFILE**  
 SCALE: 1" = 40' HORIZ.  
 = 5' VERT.

ALDERWOOD WATER AND WASTEWATER DISTRICT  
 APPROVED FOR WATER AND SEWER CONSTRUCTION

EXT. NO. \_\_\_\_\_

BY: \_\_\_\_\_ DATE: \_\_\_\_\_  
 DISTRICT ENGINEER OR ASSIGNEE

**AS-BUILT NOTE:**  
 THE INFORMATION SHOWN ON THE PLANS IS BASED ON SURVEY INFORMATION PROVIDED BY CURTIS AND ASSOCIATES AND INSPECTOR'S AS-BUILTS PROVIDED BY AWWD. THE DESIGN DRAWINGS WERE UPDATED WITH THE AS-BUILT INFORMATION PROVIDED.

**CALL 2 BUSINESS DAYS BEFORE YOU DIG**  
**1-800-424-5555**

R#	DATE	DESCRIPTION	BY
1	6/06	REV. PER AWWD COMMENTS	JMS
2	5/06	REV. PER AWWD COMMENTS	JMS
3	4/06	REV. PER AWWD COMMENTS	JMS
4	12/05	REV. PER AWWD COMMENTS	JMS
5	10/05	REV. PER CITY COMMENTS	JMS
6	9/05	REV. PER CITY COMMENTS	JMS
7	8/05	REVISED PER CITY COMMENTS	JMS
8	7/05	CONSTRUCTION SUBMITTAL	JMS

**WATER & SEWER PLAN & PROFILE**

2210 HEWITT AVENUE  
 SUITE NUMBER 204  
 EVERETT, WA 98201  
 1 425-387-3820  
 1 425-259-1958

**OMEGA ENGINEERING, INC.**

**DOUGLAS ADDITION**

Mill Creek, Washington  
 PORTION OF SECTION 5, TOWNSHIP  
 27 NORTH, RANGE 5 EAST, W.M.  
 McNaughton Group

PROJ. NO. 05-027	DRN. BY: JMS
DATE: 6/29/05	
SCALE: NOTED	
DRAWING NO. 1	1